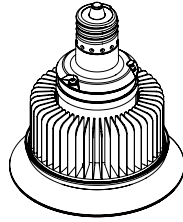
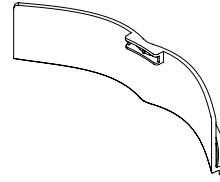


### Provided Materials



VA6 Lamp + 5" Post Top

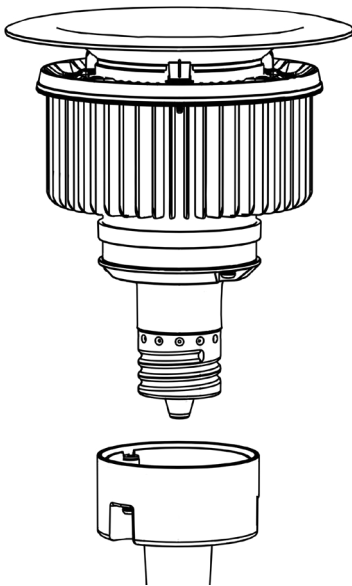


5" Post Top House Shield

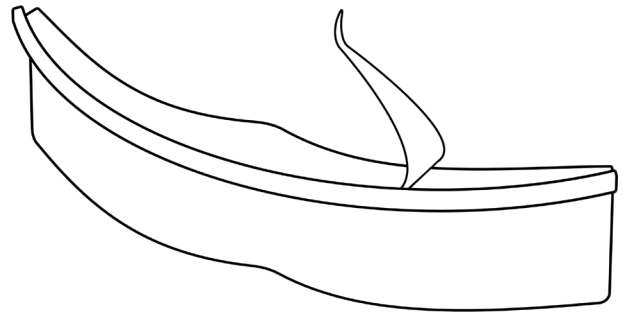
### Installation Video:

### Instructions

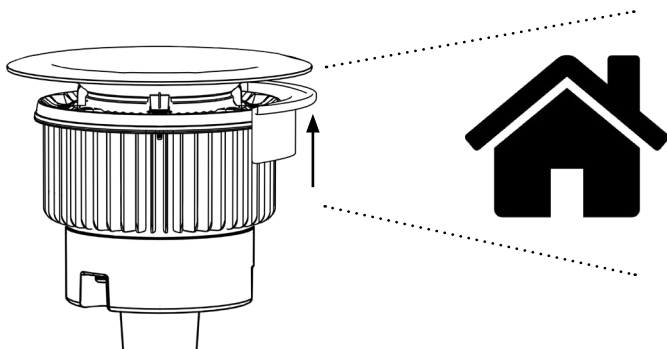
1. Screw in Lamp to lamp post.



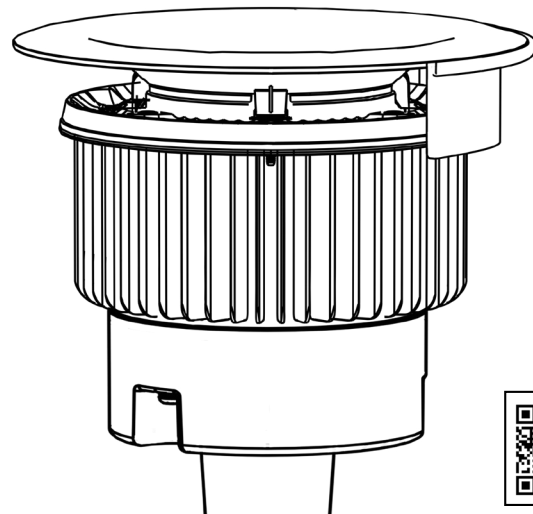
2. Peel sticker off of Post Top House Shield.



3. Stick shield onto rim of post top. Make sure attachment is in direction where needed.



4. Installation complete!



[Installation Video](#)