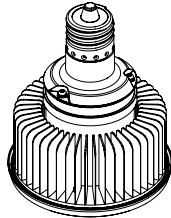
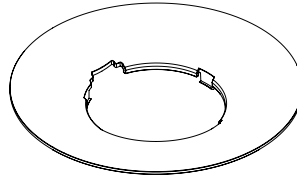


Provided Materials

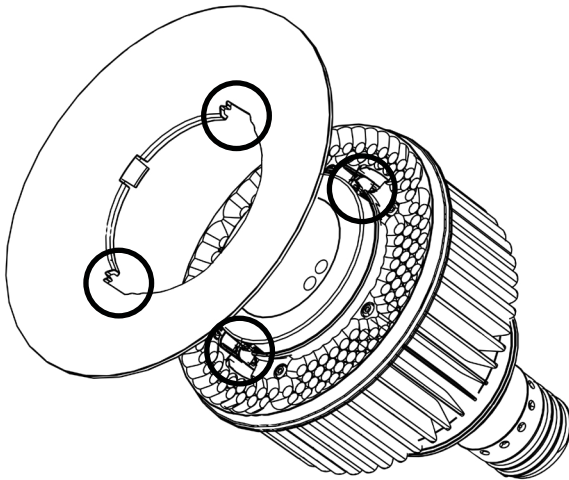
VA6 Lamp



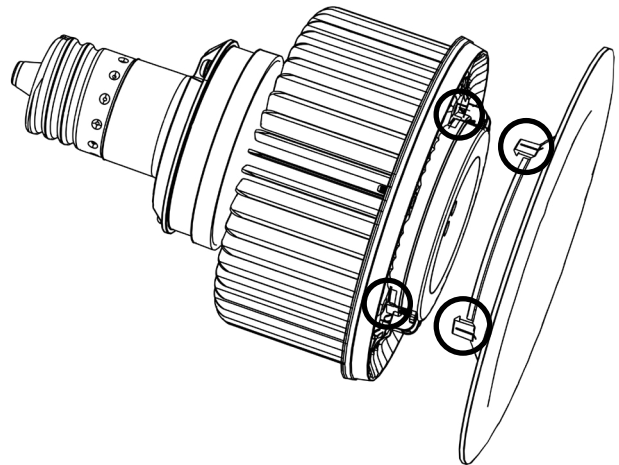
Post Top Reflector

Installation Video: https://www.Filamento.com/INSV_ACC-005-PT1-000-FL**Instructions**

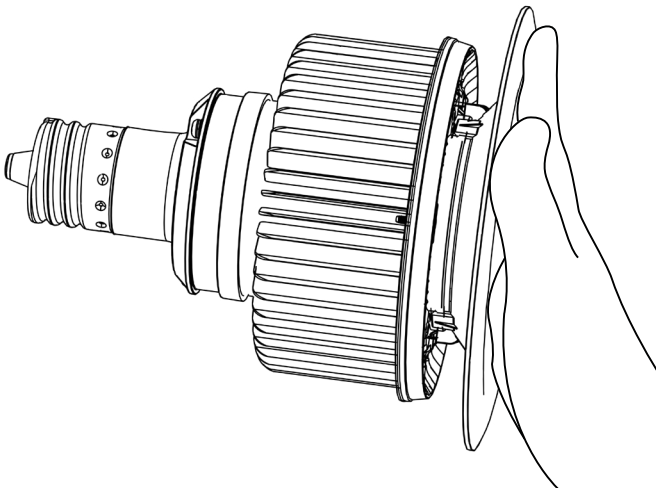
1. Align the tabs of the lamp's cap with the grooves of the inner ring of the reflector.



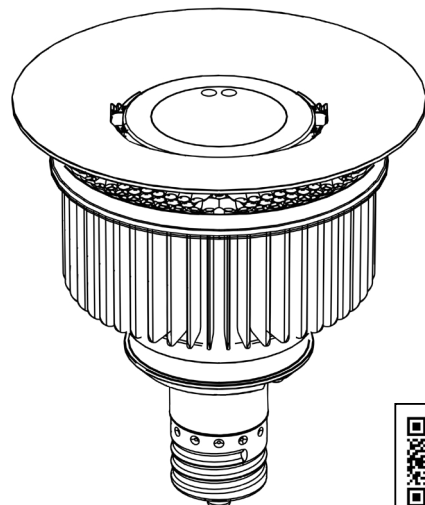
2. Align the tabs on bottom of the reflector with grooves on the lens of the lamp.

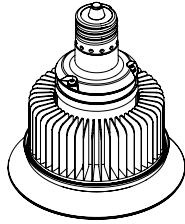


3. Gently press reflector onto the lamp, and the reflector will click to lock into the lamp.



4. Installation complete!

**Installation Video**

Provided Materials

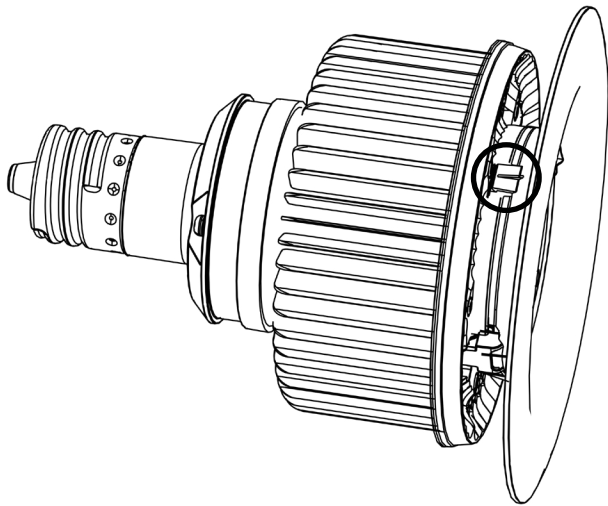
VA6 Lamp & Post Top Reflector



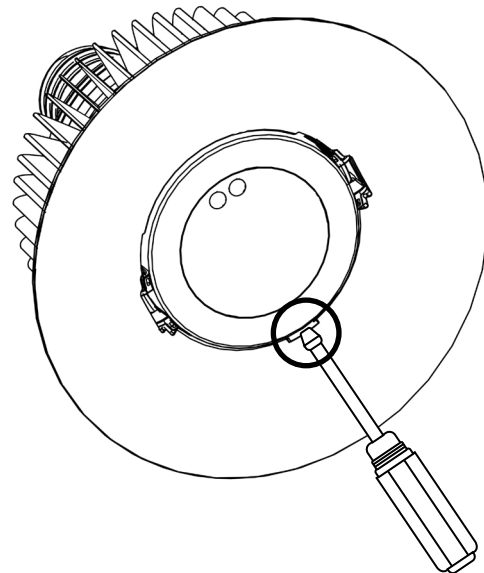
Screwdriver/Flathead

Installation Video: https://www.Filamento.com/INSV_ACC-005-PT1-000-FL**Instructions**

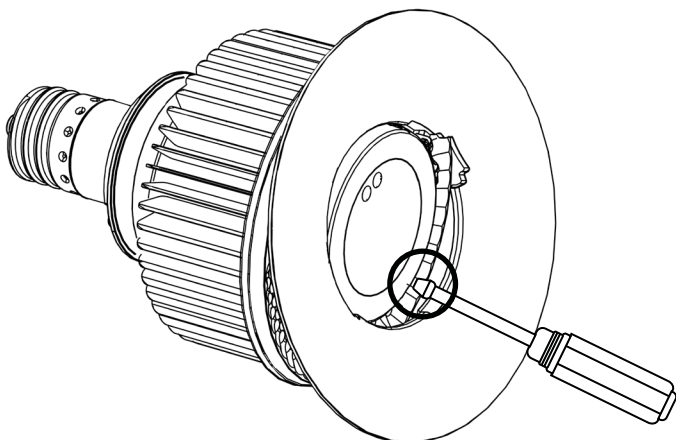
1. Locate the tabs where the reflector connects to the lamp.



2. Gently slide the screwdriver flathead into the groove between the reflector tab and the lamp.



3. Apply light pressure and wiggle the flathead to separate the reflector's tabs from the lamp's lens.



4. The reflector is now removed from the lamp!

