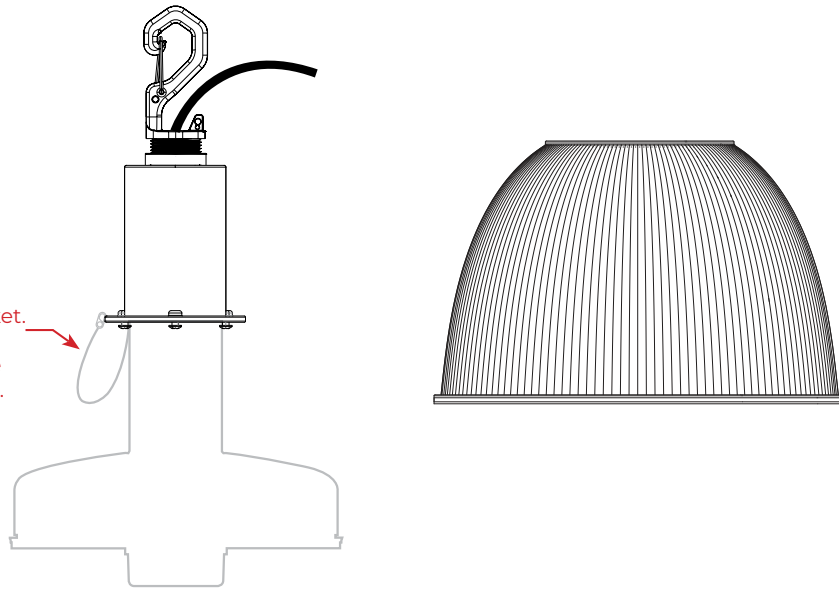


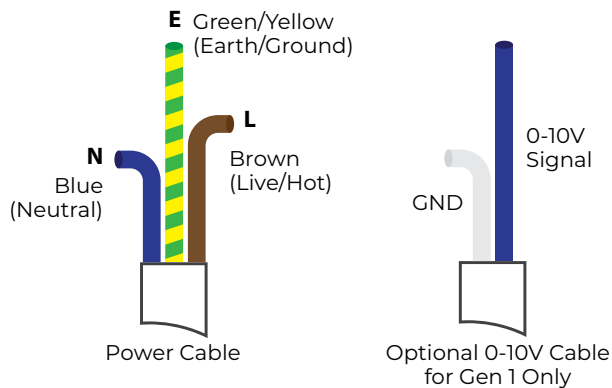
Warning: Ensure safety wire is NOT caught up in the E39 Socket. Install lamp in vertical base up position. Pull on the safety wire out of the VALTO Cylinder base.



Applicable for:

Korea, Japan, Europe, Taiwan, China

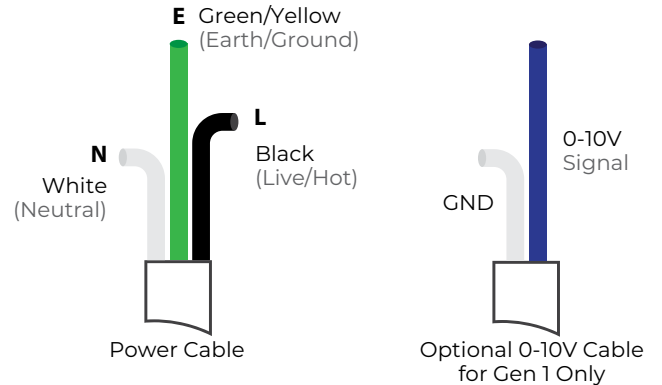
Cable wire color



Applicable for:

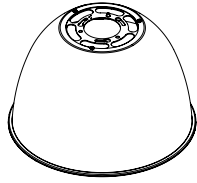
USA, Canada, Mexico

Cable wire color

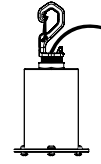


- WARNING** - DISCONNECT OR TURN OFF POWER BEFORE INSTALLATION OR SERVICING.
- WARNING** - VERIFY THAT SUPPLY VOLTAGE IS CORRECT BY COMPARING IT WITH THE LUMINAIRE LABEL.
- WARNING** - THE LUMINAIRE SHALL BE INSTALLED BY A QUALIFIED ELECTRICIAN AND WIRED IN ACCORDANCE WITH THE LATEST IEE OR NEMA ELECTRICAL REGULATIONS OR THE NATIONAL REQUIREMENTS.
- WARNING** - MAKE ALL ELECTRICAL AND GROUNDED CONNECTIONS IN ACCORDANCE WITH ANY APPLICABLE LOCAL CODE REQUIREMENTS.
- WARNING** - ALL WIRING CONNECTIONS SHOULD BE CAPPED WITH APPROVED RECOGNIZED WIRE CONNETORS.
- WARNING** - ALLOW LAMP/FIXTURE TO COOL BEFORE HANDLING. DO NOT TOUCH ENCLOSURE OR LIGHT SOURCE.
- WARNING** - FOLLOW ALL MANUFACTURER'S WARNINGS, RECOMMENDATIONS AND RESTRICTIONS FOR: DRIVER TYPE, BURNING POSITION, MOUNTING LOCATIONS/METHODS, REPLACEMENT AND RECYCLING.

Provided Materials



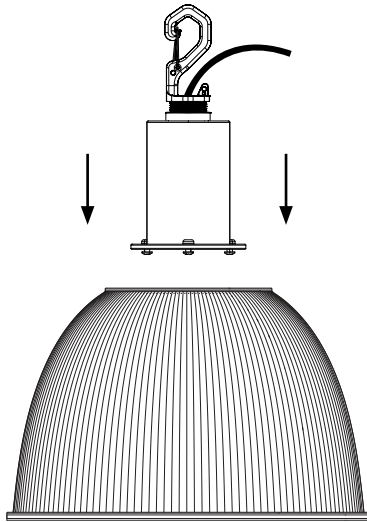
Prismatic or Aluminum Bell Reflector
(12" 16" or 22")



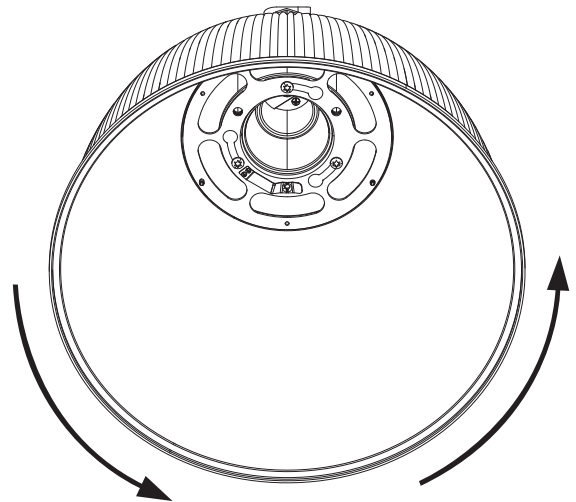
ADP Base

Instructions

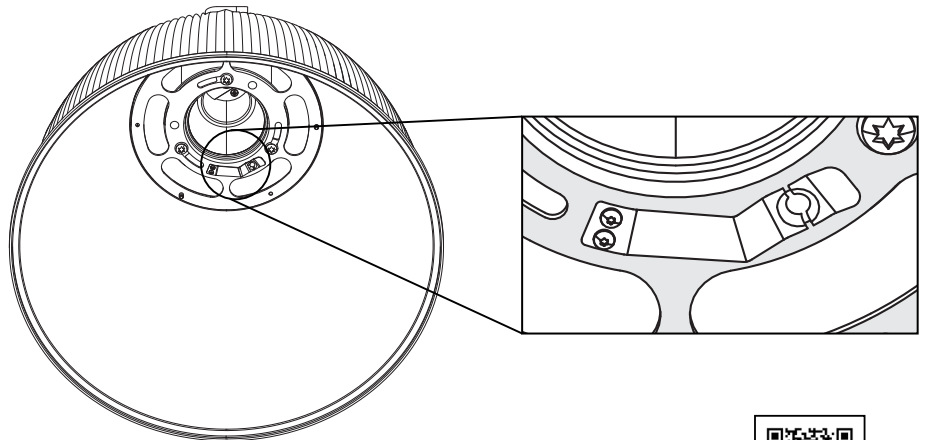
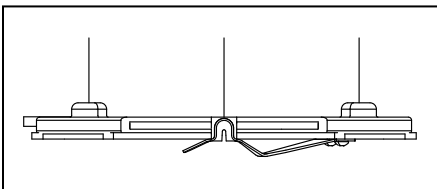
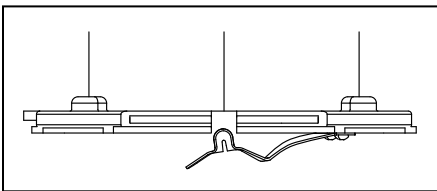
1. Attach reflector to VALTO Base



2. Twist and lock reflector. The spring pin will lock into the base reflector.



3. Clip will lock reflector into place



[Installation Video](#)