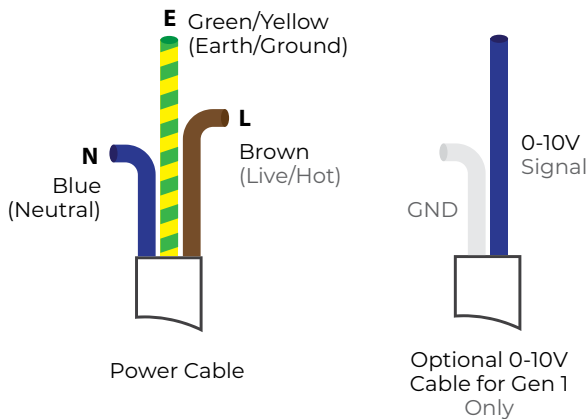


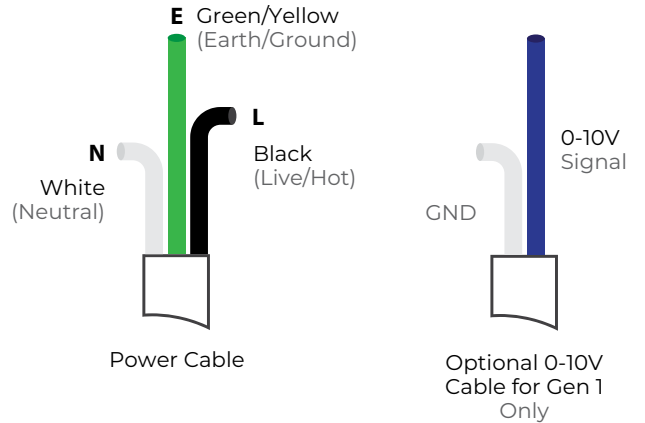
Applicable to:  
Korea, Japan, Europe, Taiwan, China

Cable Wire Color



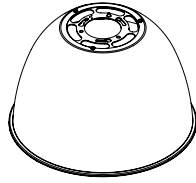
Applicable to:  
USA, Canada, Mexico

Cable Wire Color

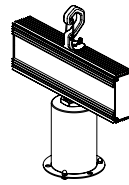


- WARNING** - DISCONNECT OR TURN OFF POWER BEFORE INSTALLATION OR SERVICING.
- WARNING** - VERIFY THAT SUPPLY VOLTAGE IS CORRECT BY COMPARING IT WITH THE LUMINAIRE LABEL.
- WARNING** - THE LUMINAIRE SHALL BE INSTALLED BY A QUALIFIED ELECTRICIAN AND WIRED IN ACCORDANCE WITH THE LATEST IEE OR NEMA ELECTRICAL REGULATIONS OR THE NATIONAL REQUIREMENTS.
- WARNING** - MAKE ALL ELECTRICAL AND GROUNDED CONNECTIONS IN ACCORDANCE WITH ANY APPLICABLE LOCAL CODE REQUIREMENTS.
- WARNING** - ALL WIRING CONNECTIONS SHOULD BE CAPPED WITH APPROVED RECOGNIZED WIRE CONNETORS.
- WARNING** - ALLOW LAMP/FIXTURE TO COOL BEFORE HANDLING. DO NOT TOUCH ENCLOSURE OR LIGHT SOURCE.
- WARNING** - FOLLOW ALL MANUFACTURER'S WARNINGS, RECOMMENDATIONS AND RESTRICTIONS FOR: DRIVER TYPE, BURNING POSITION, MOUNTING LOCATIONS/METHODS, REPLACEMENT AND RECYCLING.

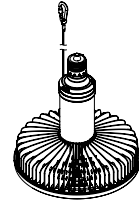
## Provided Materials



Prismatic or Aluminum Bell Reflector  
(12" 16" or 22")



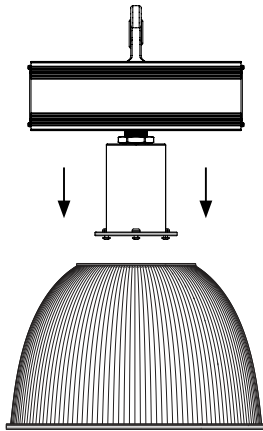
ADS Base Hook Mount



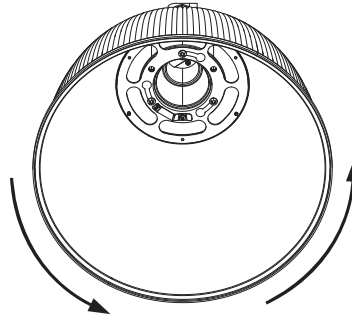
V2L/V2M Lamp

## Instructions

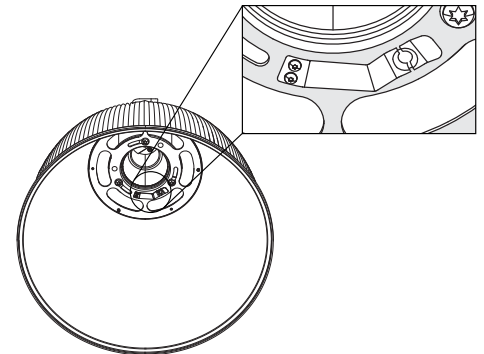
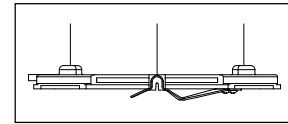
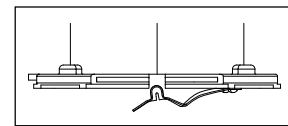
1. Attach Reflector to ADS Base by aligning the Base's nails to the Reflector's holes.



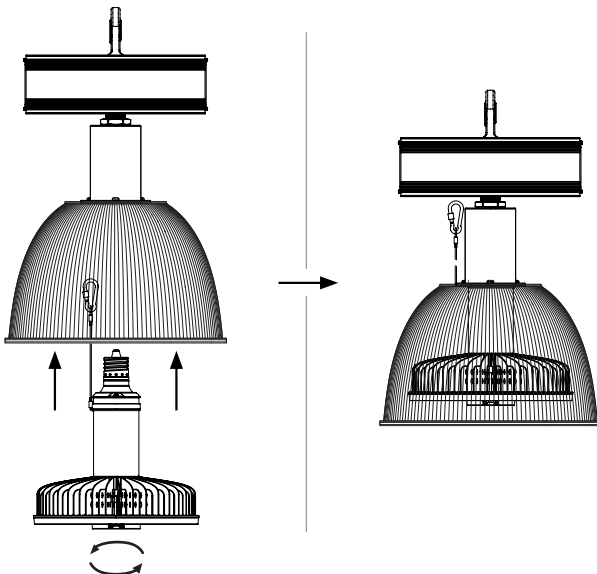
2. Twist and lock Reflector. The spring pin will lock into the Base Reflector.



3. Clip will lock Reflector into place.



4. Insert and screw the lamp into the Reflector/ADS Base until completely inserted.



5. Pull the lamp's safety cable through one of the Reflector's holes and attach the safety cable to the Reflector/ADS Base.

