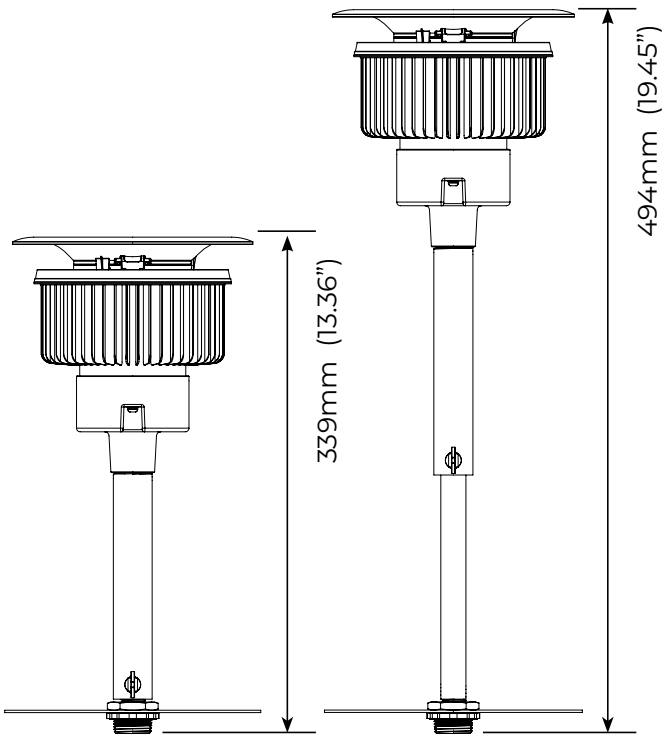


Luminaire

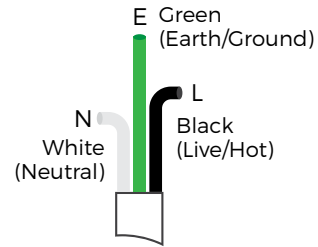
Direct to ____ Bypass



North America / Japan / Korea / Mexico

Applies to UL certified luminaires

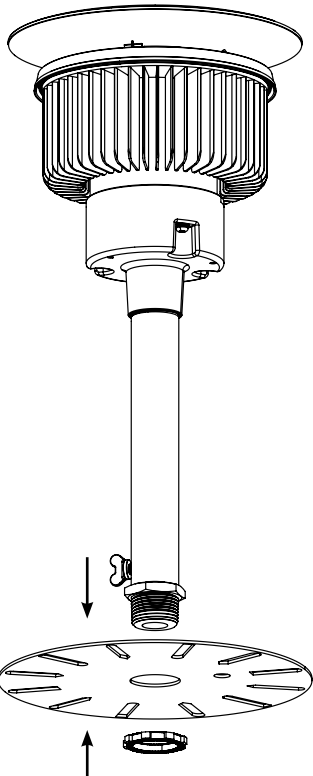
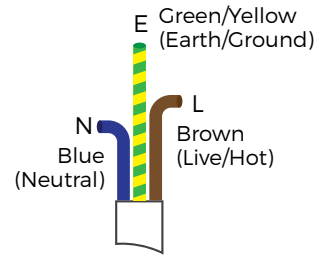
Cable Wire Color



Europe / Asia / Australia / Japan / Korea

Applies to CE certified luminaires

Cable Wire Color

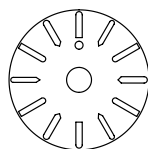


VA6 Post Top Fixture

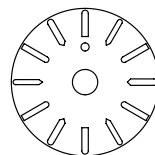
VA6-Fxx-xxx-x-xx-Vx-AN-B90-PT1-xxx-T000-xxxx

Telescoping Pole Aluminum Plate

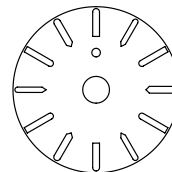
ASM-TPP-xx-0000



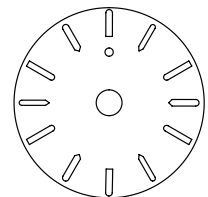
ASM-TPP-63-0000
(Ø 6.25" / 158.75mm)



ASM-TPP-65-0000
(Ø 6.50" / 165.1mm)



ASM-TPP-70-0000
(Ø 6.95" / 176.53mm)



ASM-TPP-80-0000
(Ø 7.92" / 201.17mm)

- WARNING -** DISCONNECT OR TURN OFF POWER BEFORE INSTALLATION OR SERVICING.
- WARNING -** VERIFY THAT SUPPLY VOLTAGE IS CORRECT BY COMPARING IT WITH THE LUMINAIRE LABEL.
- WARNING -** THE LUMINAIRE SHALL BE INSTALLED BY A QUALIFIED ELECTRICIAN AND WIRED IN ACCORDANCE WITH THE LATEST IEE OR NEMA ELECTRICAL REGULATIONS OR THE NATIONAL REQUIREMENTS.
- WARNING -** MAKE ALL ELECTRICAL AND GROUNDED CONNECTIONS IN ACCORDANCE WITH ANY APPLICABLE LOCAL CODE REQUIREMENTS.
- WARNING -** ALL WIRING CONNECTIONS SHOULD BE CAPPED WITH APPROVED RECOGNIZED WIRE CONNECTORS.
- WARNING -** ALLOW LAMP/FIXTURE TO COOL BEFORE HANDLING. DO NOT TOUCH ENCLOSURE OR LIGHT SOURCE.
- WARNING -** FOLLOW ALL MANUFACTURER'S WARNINGS, RECOMMENDATIONS AND RESTRICTIONS FOR: DRIVER TYPE, BURNING POSITION, MOUNTING LOCATIONS/METHODS, REPLACEMENT AND RECYCLING.
- WARNING -** IF THE EXTERNAL FLEXIBLE CABLE OR CORD OF THIS LUMINAIRE IS DAMAGED, IT SHALL BE EXCLUSIVELY REPLACED BY THE MANUFACTURER OR HIS SERVICE AGENT OR A SIMILAR QUALIFIED PERSON IN ORDER TO AVOID A HAZARD.
- WARNING -** THE LIGHT SOURCE OF THIS LUMINAIRE IS NOT REPLACEABLE; WHEN THE LIGHT SOURCE REACHES ITS END OF LIFE THE WHOLE LUMINAIRE SHALL BE REPLACED.
- WARNING -** YOU MUST CONNECT THE INPUT POWER CABLE TO THE POWER SUPPLY USING THE SAME IP LEVEL AND A JUNCTION BOX WITH A CORD ANCHORAGE DEVICE.