

12"/31cm Conical Lens + Metal Ring Reflector Accessory



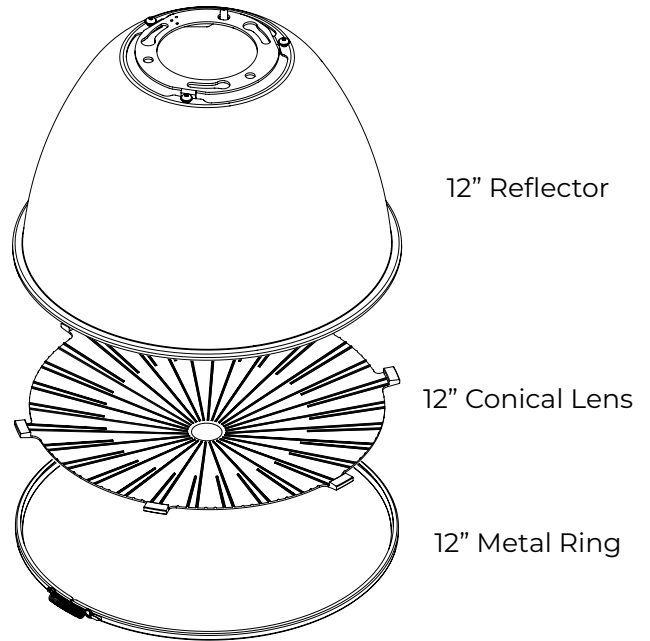
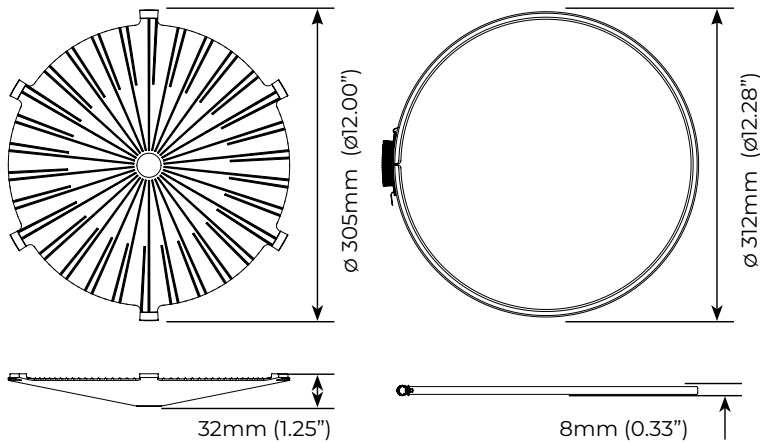
Features

- Widens base luminaire distribution
- Hides the LEDs from view
- Quick and easy installation – simply snap into reflector with supplied metal ring
- See website for Installation Guide/IES files

Compatible Products

- Aluminum Bell 12" Reflector
- Prismatic 12" Reflector

Mechanical



Ordering Information

Description	Part Code	Part Number	Quick Ship
12" Conical Lens	03885	ACC-012-CNL-000-FL	Yes

1. Unless otherwise specified, all values are typical at 25°C, 240VAC
 2. [See limited warranty for details](#)
 3. Specifications subject to change without notice

4. Not intended for use in environments containing airborne corrosive agents such as chemicals, solvents, or cutting fluids