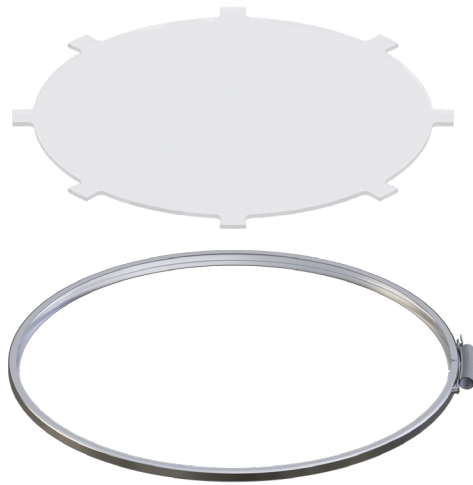


12"/31cm Reflector Accessory

Date	Project	Part #
------	---------	--------



12" Reflector + 12" UGR Diffuser
(Reflector not included)

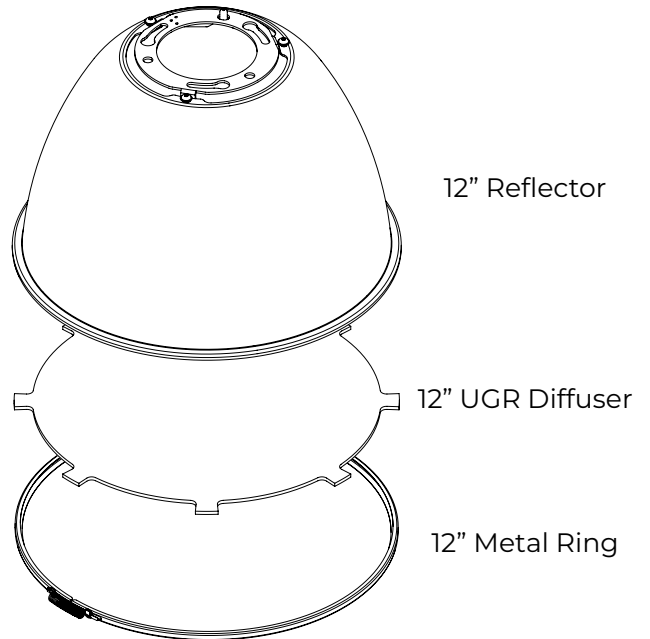
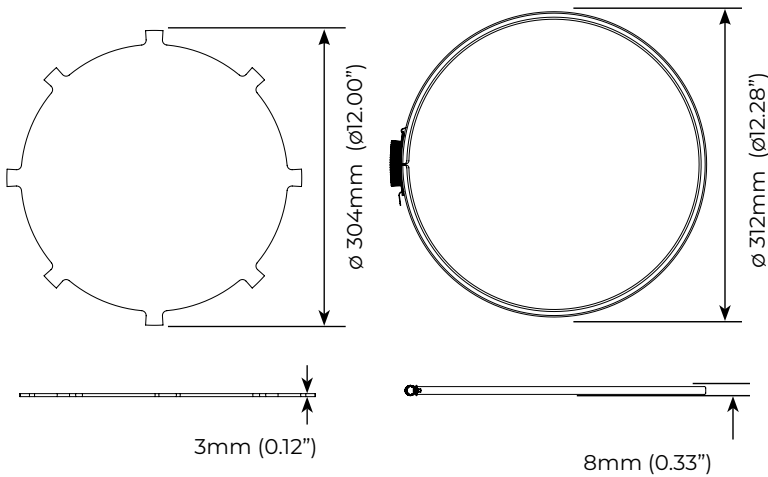
Features

- Widens base luminaire distribution
- Hides the LEDs from view
- Quick and easy installation – simply snap into reflector with supplied metal ring
- See website for Installation Guide/IES files

Compatible Products

- Aluminum Bell 12" Reflector
- Prismatic 12" Reflector

Mechanical



Ordering Information

Description	Part Code	Part Number	Quick Ship
12" UGR Diffuser	00685	ACC-012-UGR-000-FL	Yes

1. Unless otherwise specified, all values are typical at 25°C, 240VAC
 2. [See limited warranty for details](#)
 3. Specifications subject to change without notice

4. Not intended for use in environments containing airborne corrosive agents such as chemicals, solvents, or cutting fluids