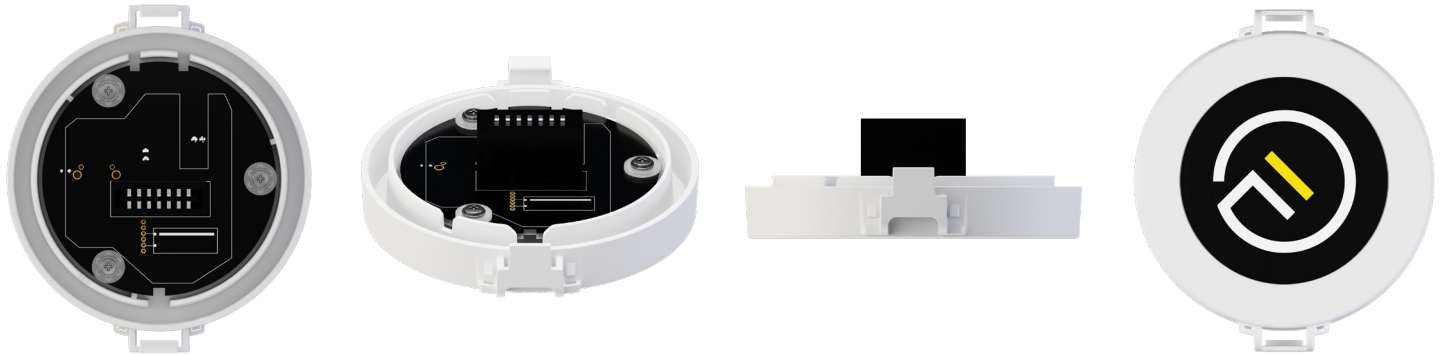


Date Project Part #

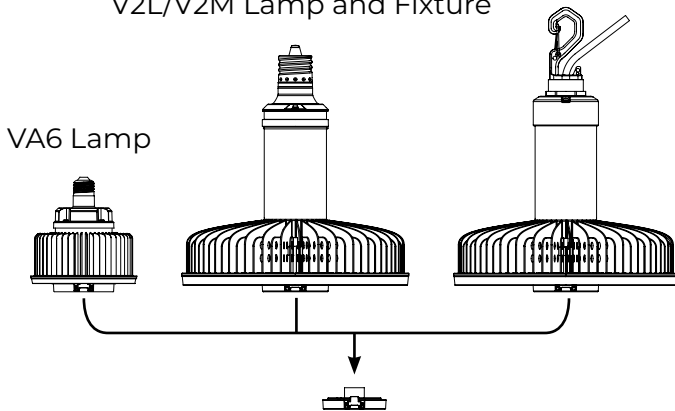


Features

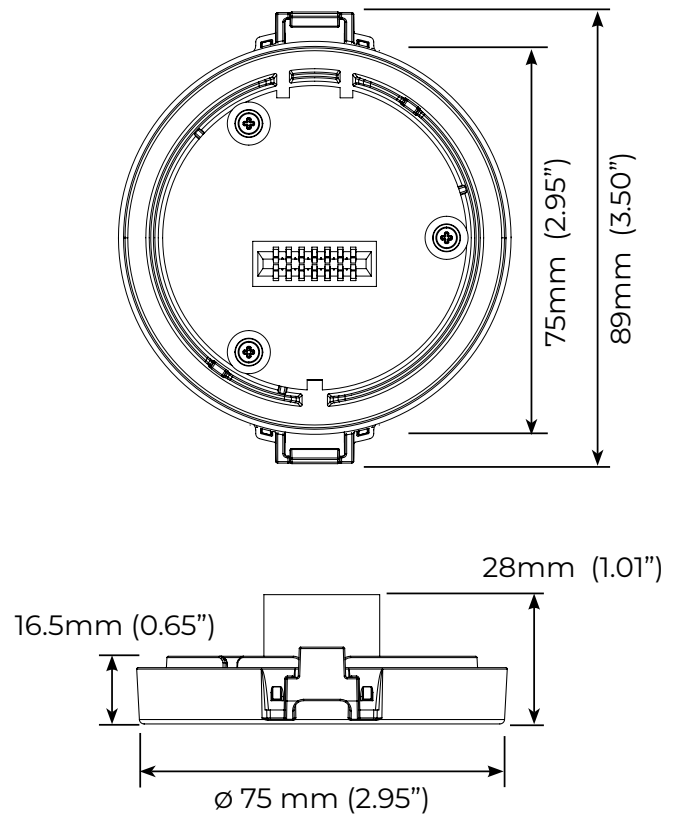
- Compatible with all Casambi ecosystem products
- Enables wireless lighting controls over secure Bluetooth Low Energy mesh network
- Easy to commission through a simple smartphone application
- Optional Casambi Cloud Gateway for remote access and cloud connectivity
- Optional Casambi-ready wireless sensors and wall switches
- Easy to install - Simply snap into front connector
- See website for Installation Guide

Compatible Products

V2L/V2M Lamp and Fixture



Mechanical



Ordering Information

Description	Control Type	Part Code	Part Number	Quick Ship
CAP CSM Control	Casambi Bluetooth	03064	CAP-A75-CSM-WH-FL-FL	Yes

1. Unless otherwise specified, all values are typical at 25°C, 240VAC
 2. [See limited warranty for details](#)
 3. Specifications subject to change without notice

4. Not intended for use in environments containing airborne corrosive agents such as chemicals, solvents, or cutting fluids