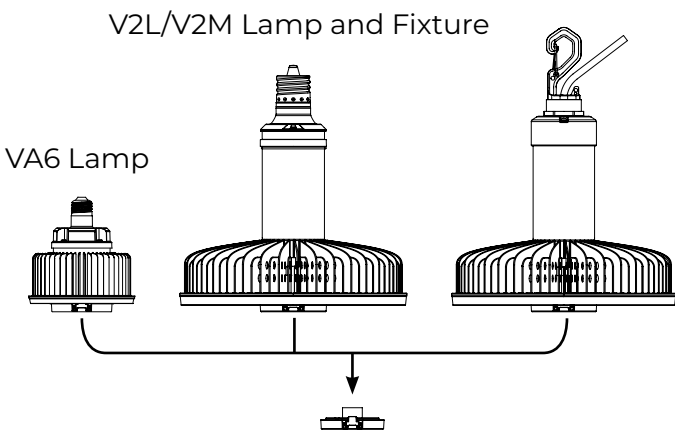


Features

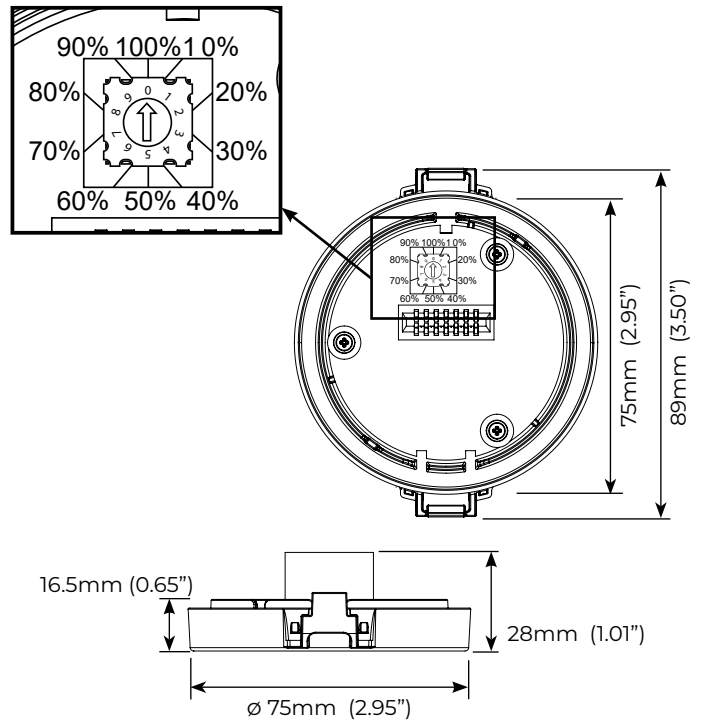
- Provides flexible power adjustments from 10% to 100% in 10% increments
- Replaces the front cap of lamps and luminaires
- Allows for adjustable varying lumen outputs without needing to purchase various lamps with different power levels, keeping only one type of lamp in inventory (Example: By dialing to 90%, the 165W lamp will adjust to 150W)
- See website for Installation Guide

Compatible Products



Mechanical

- Using a screwdriver, turn the arrow to adjust the light levels in 10% increments
- 100% is full lumen output



Ordering Information

Description	Control Type	Part Number	Part Number	Quick Ship
CAP PR1 Control	Manual Set Dim	03044	CAP-A75-PR1-WH-FL-FL	Yes

1. Unless otherwise specified, all values are typical at 25°C, 240VAC
 2. [See limited warranty for details](#)
 3. Specifications subject to change without notice

4. Not intended for use in environments containing airborne corrosive agents such as chemicals, solvents, or cutting fluids