

Date	Project	Part #
------	---------	--------



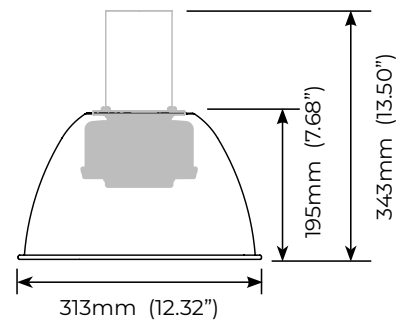
## Features

The optional reflector is available to create a traditional high-bay aesthetic. However, these reflectors are not needed and its installation does not substantially alter the light distribution. The Filamento lamp has integral optics that create a cutoff at 50°, eliminating glare so an external reflector is not required.

- Solid polycarbonate reflector
- Reflectors are vented to allow for airflow
- Compatible with all ADP mounting bases
- Compatible with all VA6 mogul base lamps
- Easy to install - Simply twist and lock assembly to ADP mounting bases, no tools required
- Optional diffuser, drop lens, wireguard accessories
- ADP mounting bases are sold separately
- See website for Installation Guide

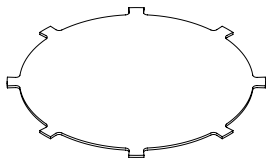
## Mechanical

- 0.41 kg / 0.9 lb
- Solid polycarbonate body

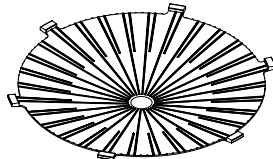


12" Reflector shown with VA6 Lamp

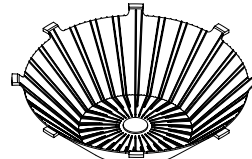
## Compatible Accessories



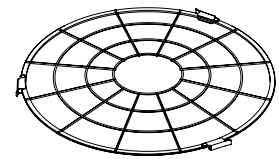
12" UGR Diffuser  
ACC-012-UGR-000-FL



12" Conical Lens  
ACC-012-CNL-000-FL



12" Drop Lens  
ACC-012-DRL-000-FL



12" Wireguard Black  
ACC-012-WBK-000-FL

## Ordering Information

Description	Part Code	Part #
Prismatic Polycarbonate 12" Reflector	03883	RFL-PR12-CLIPC1

1. Inquire for custom color combinations
2. [See limited warranty for details](#)
3. Specifications subject to change without notice

4. Not intended for use in environments containing airborne corrosive agents such as chemicals, solvents, or cutting fluids