

Date Project Part #

Aluminum 12" Reflector + Hook (HKS) Base



Aluminum 12" Reflector + Pendant (SUS) Base



Aluminum 12" Reflector + Stem (PNx) Base



Aluminum 12" Reflector + Surface Mount (JVx) Base



Features

- Up to 7,000 Lumens, 156 L/W
- Certified for Magnetic HID Ballast & 100-277 VAC
- Integrated Patented Optic provides:
 - Low Glare UGR<18
 - 1.3x cd/lumen higher efficiency over no optic
- 80 CRI Standard, High CRI optional
- Wireless control options
- Temperature protection with full output:
 - T_{Ambient} = 65°C/150F for 30W
 - T_{Ambient} = 45°C/115F for 45W
- Socket extender option sold separately
- Enclosed fixture and IC rated for 30W
- Five Year or 50,000 Hour warranty²
- See Website for Installation Guide and IES File

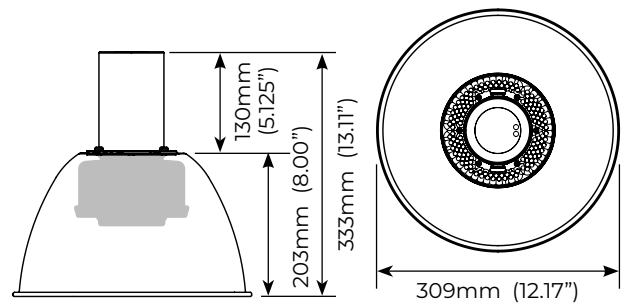
Control Options

- Wireless Options:
 - Synpase, Casambi, Avi-On
- Non Wireless Options:
 - Occupancy & Daylight, Manual Power Set
- Dims to 10% then to off
- Controls not compatible with ballast operation

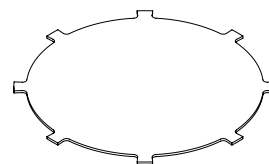
World Wide Certifications

- UL/ULC, DLC, CE/CB, PSE, CCC, SAA
- See regional section for applicable certification
- IP52 / UL damp listed standard
- IP65 / UL wet optional⁶

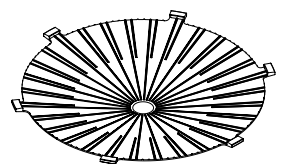
Mechanical



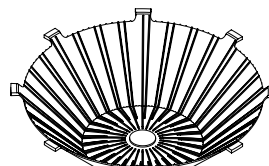
Compatible Accessories



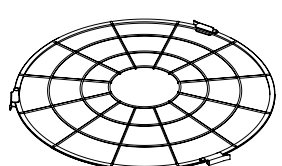
12" UGR Diffuser
ACC-012-UGR-000-FL



12" Conical Lens
ACC-012-CNL-000-FL



12" Drop Lens
ACC-012-DRL-000-FL



12" Wireguard Black
ACC-012-WBK-000-FL

1. Unless otherwise specified, all values are typical at 25°C, 240VAC
 2. See [limited warranty for details](#)
 3. Specifications subject to change without notice

4. Not intended for use in environments containing airborne corrosive agents such as chemicals, solvents, or cutting fluids
 5. Inquire for availability for special orders

Date _____ Project _____ Part # _____

Photometry

- 50° glare cutoff with $UGR_{ave} < 18$
- Field-installed optical accessories without the need for tools (Optional uplights and diffusers)

White Interior RFL		Lumens @ CCT				
CRI	Power	2700K	3000K	3500K	4000K	5000K
80	30W	4087	4326	4518	4677	4677
	45W	5913	6258	6536	6766	6766
90	30W	3367	3564	3722	3853	3853
	45W	4870	5155	5384	5574	5574

Gold Interior RFL		Lumens @ CCT				
CRI	Power	2700K	3000K	3500K	4000K	5000K
80	30W	3953	4184	4369	4523	4523
	45W	5718	6052	6320	6543	6543
90	30W	3256	3446	3599	3726	3726
	45W	4710	4986	5206	5390	5390

Electrical (VL Driver)

- VL: Line Voltage 100-277 VAC, 50-60 Hz
- < 1% flicker
- 6 kV surge protection, PF>0.9/THD<20%

	Amps @ Line Voltage (VAC)					
	100V	110V	120V	220V	240V	277V
30W	0.30A	0.27A	0.25A	0.14A	0.13A	0.11A
45W	0.45A	0.41A	0.38A	0.20A	0.19A	0.16A

Part # Key (Part A + Part B)

- Not all combinations are valid or readily available
- Call for availability of custom features - MOQ may apply
- Optical accessories and controls may be shipped separately and installed to the base lamp model in the field by the user - Inquire at time of order

PART A: TRANSCENDENT

Series		Reflector		Exterior/Interior Color		Mounting/ Cord Length		Mounting Color		Termination		Reflector Accessory (Field Install)	
TU	UL cert.	AB12	Aluminum 12"	GR2WH2	Gray/White	Hxxx	Hook	000	None	Wire	Bare Wire	UGR	UGR Diffuser
TC	CE cert.			BK2GD2	Black/Gold	Pxxx	Pendant	WH1	White	N515	NEMA 5-15	DRL	Drop Lens
				BK2WH2	Black/White	Sxxx	Stem	BK1	Black	1430	NEMA 14-30	CNL	Conical Lens
						J000	Surface	GR1	Gray	C716	CEE 7/16	WBK	Wire guard Black
										CONN	Connector		
										JP01	PSE Bare Wire		

PART B: LAMP [\(Link to spec sheet\)](#)

Series	Lamp Base		Power		CRI		CCT		Driver		Finish		Optics		Control Module (Field Install)		Accessory (Field Install)	
VA6	X39 E40	EX39 E40	30 45	30W 45W	8 9	80 CRI 90 CRI	22 27	2200K 2700K	VL VH	100-277V Hybrid	AN	Anodized	B90	90° Beam	000 OC1 BLE CSM SYN PRI	None (Base Model) Occupancy & Daylight Bluetooth (Avi-On) Casambi Synapse Manual Set Dim	000 015	None (Base Model) 15% Uplight