

Date Project Part #

Aluminum 16" Reflector +  
Hook (HKS) Base



Aluminum 16" Reflector +  
Pendant (SUS) Base



Aluminum 16" Reflector +  
Stem (PNx) Base



Aluminum 16" Reflector +  
Surface Mount (JVx) Base



## Features

- Up to 25,700 Lumens, 156 L/W
- Certified for Magnetic HID Ballast & 100-277 VAC
- Integrated Patented Optic provides:
  - Low Glare UGR<18
  - 1.3x cd/lumen higher efficiency over no optic
- 80 CRI Standard, High CRI optional
- Wireless control options
- Temperature protection with full output:
  - T(Ambient) = 55°C/150F for 105W
  - T(Ambient) = 45°C/115F for 150W
  - T(Ambient) = 40°C/115F for 165W
- Enclosed Fixture rated for 105W
- Five years or 50,000 hours warranty<sup>2</sup>
- See website for Installation Guide/IES files

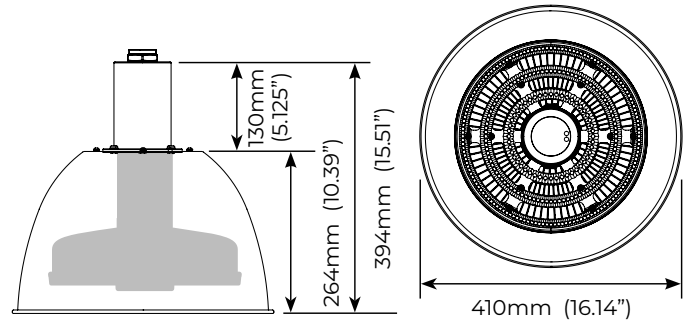
## Control Options

- Control modules may be installed at the factory or in the field
- Options include: Casambi, Avi-On, Synapse, Occupancy & Daylight sensor, and Manual Dimming module
- Dims to 10% then to Off

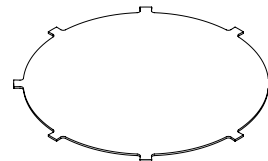
## World Wide Certifications

- UL/ULC, DLC, CE/CB, PSE, KC, BSMI, NOM
- IP52 / UL damp listed standard
- IP65 / UL wet optional

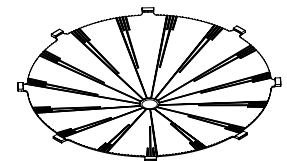
## Mechanical



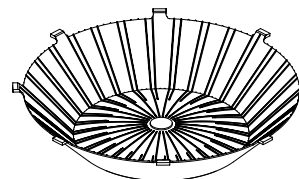
## Compatible Accessories



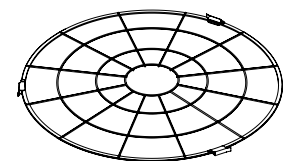
16" UGR Diffuser  
ACC-016-UGR-000-FL



16" Conical Lens  
ACC-016-CNL-000-FL



16" Drop Lens  
ACC-016-DRL-000-FL



16" Wireguard Black  
ACC-016-WBK-000-FL

1. Unless otherwise specified, all values are typical at 25°C, 240VAC  
 2. See [limited warranty for details](#)  
 3. Specifications subject to change without notice

4. Not intended for use in environments containing airborne corrosive agents such as chemicals, solvents, or cutting fluids  
 5. Inquire for availability for special orders

Date \_\_\_\_\_ Project \_\_\_\_\_ Part # \_\_\_\_\_

### Photometry

- 50° glare cutoff with  $UGR_{ave} < 18$
- Field-installed optical accessories without the need for tools (Optional uplights and diffusers)

White Interior RFL			Lumens @ CCT				
CRI	Series	Power	2700K	3000K	3500K	4000K	5000K
80	V2L	105W	14317	15155	15826	16384	16384
		150W	18976	20086	20975	21715	21715
	V2M	165W	22057	23348	24381	25241	25241
90	V2L	105W	11794	12484	13037	13496	13496
		150W	15631	16546	17278	17888	17888
	V2M	165W	18170	19233	20084	20792	20792

Gold Interior RFL			Lumens @ CCT				
CRI	Series	Power	2700K	3000K	3500K	4000K	5000K
80	V2L	105W	14226	15058	15725	16279	16279
		150W	18854	19958	20841	21576	21576
	V2M	165W	21916	23199	24226	25080	25080
90	V2L	105W	11719	12404	12953	13410	13410
		150W	15531	16440	17168	17773	17773
	V2M	165W	18054	19110	19956	20660	20660

### Electrical (VL Driver)

- VL: Line Voltage 100-277 VAC, 50-60 Hz
- < 1% flicker
- 6 kV surge protection, PF>0.9/THD<20%

	Amps @ Line Voltage (VAC)					
	100V	110V	120V	220V	240V	277V
105W	1.05A	0.95A	0.88A	0.48A	0.44A	0.38A
150W	1.50A	1.36A	1.25A	0.68A	0.63A	0.54A
165W	1.65A	1.50A	1.38A	0.75A	0.69A	0.60A

### Part # Key (Part A + Part B)

- Not all combinations are valid or readily available
- Call for availability of custom features - MOQ may apply
- Optical accessories and controls may be shipped separately and installed to the base lamp model in the field by the user - Inquire at time of order

#### PART A: TRANSCENDENT

Series		Reflector		Exterior/Interior Color		Mounting/ Cord Length		Mounting Color		Termination		Reflector Accessory (Field Install)	
TU	UL cert.	AB16	Aluminum 16"	GR2WH2	Gray/White	Hxxx	Hook	000	None	Wire	Bare Wire	UGR	UGR Diffuser
TC	CE cert.			BK2GD2	Black/Gold	Pxxx	Pendant	WH1	White	N515	NEMA 5-15	DRL	Drop Lens
				BK2WH2	Black/White	Sxxx	Stem	BK1	Black	1430	NEMA 14-30	CNL	Conical Lens
						J000	Surface			C716	CEE 7/16	WBK	Wire guard Black
										CONN	Connector		
										JP01	PSE Bare Wire		

#### PART B: LAMP [\(Link to spec sheet\)](#)

Series		Lamp Base		Power		CRI		CCT		Driver		Finish		Optics		Accessory (Field Install)		Control Module (Field Install)		Other
V2L	144LEDs	X39	EX39	105	105W	8	80 CRI	22	2200K	VL	100-277V	AN	Anodized	B90	90° Beam	000	None	000	None (Base Model)	FL
V2M	288LEDs	E40	E40	150	150W	9	90 CRI	27	2700K	VH	Hybrid					015	(Base Model) 15% Uplight	OC1	Occupancy & Daylight	
				165	165W			30	3000K									BLE	Bluetooth (Avi-On)	
								35	3500K									CSM	Casambi	
								40	4000K									SYN	Synapse	
								50	5000K									PR1	Manual Set Dim	