

Date Project Part #

Cylinder 13" Reflector +
Hook (HKS) Base



Cylinder 13" Reflector +
Aircraft Cable (ACx) Base



Cylinder 13" Reflector +
Stem (PNx) Base



Cylinder 13" Reflector +
Surface Mount (JVx) Base



Features

- Up to 25,700 Lumens, 156 L/W
- Certified for Magnetic HID Ballast & 100-277 VAC
- Integrated Patented Optic provides:
 - Low Glare UGR<18
 - 1.3x cd/lumen higher efficiency over no optic
- 80 CRI Standard, High CRI optional
- Wireless control options
- Temperature protection with full output:
 - T_{Ambient} = 55°C/150F for 105W
 - T_{Ambient} = 45°C/115F for 150W
 - T_{Ambient} = 40°C/115F for 165W
- Enclosed Fixture rated for 105W Five Year or 50,000 Hour warranty²
- See Website for Installation Guide and IES File

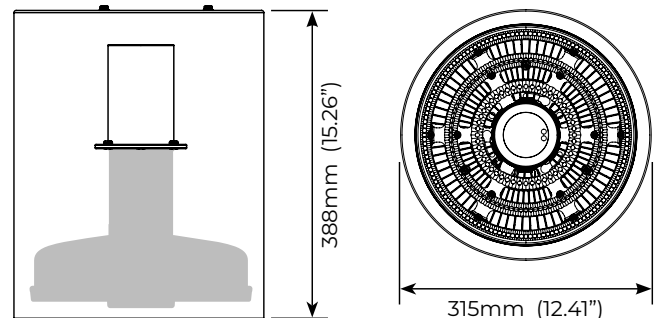
Control Options

- Wireless Options:
 - Synpase, Casambi, Avi-On
- Non Wireless Options:
 - Occupancy & Daylight, Manual Power Set
- Dims to 10% then to off
- Controls not compatible with ballast operation

World Wide Certifications

- UL/ULC, DLC, CE/CB, PSE, KC, BSMI, NOM
- See regional section for applicable certification
- IP52 / UL damp listed standard
- IP65 / UL wet optional⁶

Mechanical



1. Unless otherwise specified, all values are typical at 25°C, 240VAC
 2. [See limited warranty for details](#)
 3. Specifications subject to change without notice

4. Not intended for use in environments containing airborne corrosive agents such as chemicals, solvents, or cutting fluids
 5. Inquire for availability for special orders

Date Project

Part #

Photometry

- 50° glare cutoff with $UGR_{ave} < 18$
- Field-installed optical accessories without the need for tools (Optional uplights and diffusers)

Black Interior RFL			Lumens @ CCT				
CRI	Series	Power	2700K	3000K	3500K	4000K	5000K
80	V2L	105W	14165	14994	15657	16210	16210
		150W	18774	19872	20752	21484	21484
	V2M	165W	21823	23100	24122	24973	24973
		105W	11668	12351	12898	13353	13353
90	V2L	150W	15465	16370	17095	17698	17698
		165W	17977	19028	19,871	20572	20572

Electrical (VL Driver)

- VL: Line Voltage 100-277 VAC, 50-60 Hz
- < 1% flicker
- 6 kV surge protection, PF>0.9/THD<20%

	Amps @ Line Voltage (VAC)					
	100V	110V	120V	220V	240V	277V
105W	1.05A	0.95A	0.88A	0.48A	0.44A	0.38A
150W	1.50A	1.36A	1.25A	0.68A	0.63A	0.54A
165W	1.65A	1.50A	1.38A	0.75A	0.69A	0.60A

Part # Key (Part A + Part B)

- Not all combinations are valid or readily available
- Call for availability of custom features - MOQ may apply
- Optical accessories and controls may be shipped separately and installed to the base lamp model in the field by the user - Inquire at time of order

PART A: TRANSCENDENT

Series	Reflector	Exterior/Interior Color	Mounting/ Cord Length	Mounting Color	Termination	Reflector Accessory (Field Install)					
TU TC	UL cert. CE cert.	CY13 Cylinder 13"	BK2BK2 WH2BK2	Black/Black White/Black	Hxxx Pxxx Sxxx J000	Hook Pendant Stem Surface	000 WH1 BK1	None White Black	Wire N515 1430 C716 CONN JP01	Bare Wire NEMA 5-15 NEMA 14-30 CEE 7/16 Connector PSE Bare Wire	000 No Reflector Accessory

PART B: LAMP [\(Link to spec sheet\)](#)

Series	Lamp Base	Power	CRI	CCT	Driver	Finish	Optics	Accessory (Field Install)	Control Module (Field Install)	Other									
V2L V2M	144LEDs 288LEDs	X39 E40	EX39 E40	105 150 165	105W 150W 165W	8 9	80 CRI 90 CRI	22 27 30 35 40 50	2200K 2700K 3000K 3500K 4000K 5000K	VL VH	100-277V Hybrid	AN	Anodized	B90 90° Beam	000 015	None (Base Model) 15% Uplight	000 OC1 BLE CSM SYN PR1	None (Base Model) Occupancy & Daylight Bluetooth (Avi-On) Casambi Synapse Manual Set Dim	FL