

Date Project Part #

Prismatic 12" Reflector + Hook (HKS) Base



Prismatic 12" Reflector + Pendant (SUS) Base



Prismatic 12" Reflector + Stem (PNx) Base



Prismatic 12" Reflector + Surface Mount (JVx) Base



Features

- Up to 7,000 Lumens, 156 L/W
- Certified for Magnetic HID Ballast & 100-277 VAC
- Integrated Patented Optic provides:
 - Low Glare UGR<18
 - 1.3x cd/lumen higher efficiency over no optic
- 80 CRI Standard, High CRI optional
- Wireless control options
- Temperature protection with full output:
 - T_{Ambient} = 65°C/150F for 30W
 - T_{Ambient} = 45°C/115F for 45W
- Socket extender option sold separately
- Enclosed fixture and IC rated for 30W
- Five Year or 50,000 Hour warranty²
- See Website for Installation Guide and IES File

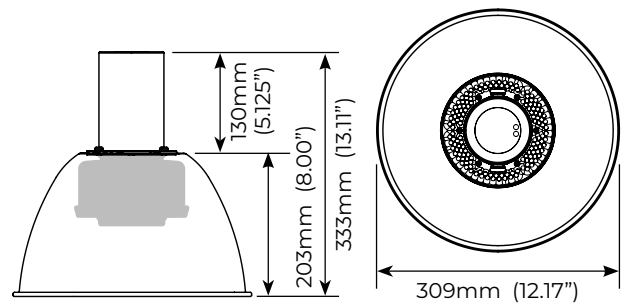
Control Options

- Wireless Options:
 - Synpase, Casambi, Avi-On
- Non Wireless Options:
 - Occupancy & Daylight, Manual Power Set
- Dims to 10% then to off
- Controls not compatible with ballast operation

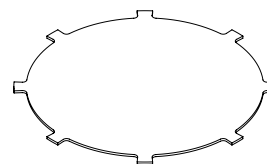
World Wide Certifications

- UL/ULC, DLC, CE/CB, PSE, CCC, SAA
- See regional section for applicable certification
- IP52 / UL damp listed standard
- IP65 / UL wet optional⁶

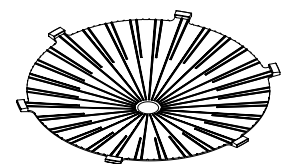
Mechanical



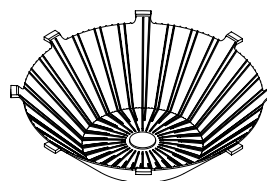
Compatible Accessories



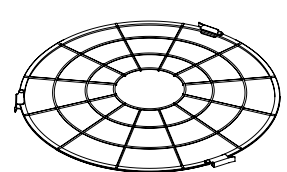
12" UGR Diffuser
ACC-012-UGR-000-FL



12" Conical Lens
ACC-012-CNL-000-FL



12" Drop Lens
ACC-012-DRL-000-FL



12" Wireguard Black
ACC-012-WBK-000-FL

1. Unless otherwise specified, all values are typical at 25°C, 240VAC
 2. See [limited warranty for details](#)
 3. Specifications subject to change without notice

4. Not intended for use in environments containing airborne corrosive agents such as chemicals, solvents, or cutting fluids
 5. Inquire for availability for special orders

Date Project Part #

Photometry

- 50° glare cutoff with $UGR_{ave} < 18$
- Field-installed optical accessories without the need for tools (Optional uplights and diffusers)

		Lumens @ CCT				
CRI	Power	2700K	3000K	3500K	4000K	5000K
80	30W	4223	4470	4668	4833	4833
	45W	6109	6467	6753	6991	6991
90	30W	3479	3682	3846	3981	3981
	45W	5032	5327	5563	5759	5759

Electrical (VL Driver)

- VL: Line Voltage 100-277 VAC, 50-60 Hz
- < 1% flicker
- 6 kV surge protection, PF>0.9/THD<20%

		Amps @ Line Voltage (VAC)					
		100V	110V	120V	220V	240V	277V
30W		0.30A	0.27A	0.25A	0.14A	0.13A	0.11A
45W		0.45A	0.41A	0.38A	0.20A	0.19A	0.16A

Part # Key (Part A + Part B)

- Not all combinations are valid or readily available
- Call for availability of custom features - MOQ may apply
- Optical accessories and controls may be shipped separately and installed to the base lamp model in the field by the user - Inquire at time of order

PART A: TRANSCENDENT

Series		Reflector		Exterior/Interior Color		Mounting/ Cord Length		Mounting Color		Termination		Reflector Accessory (Field Install)	
TU	UL cert.	PR12	Prismatic 12"	CLIPC1	Clear Polycarbonate	Hxxx	Hook	000	None	Wire	Bare Wire	UGR	UGR Diffuser
TC	CE cert.					Pxxx	Pendant	WH1	White	N515	NEMA 5-15	DRL	Drop Lens
						Sxxx	Stem	BK1	Black	1430	NEMA 14-30	CNL	Conical Lens
						J000	Surface	GR1	Gray	C716	CEE 7/16	WBK	Wire guard Black
										CONN	Connector		
										JP01	PSE Bare Wire		

PART B: LAMP (Link to spec sheet)

Series	Lamp Base		Power		CRI	CCT	Driver		Finish	Optics		Control Module (Field Install)		Accessory (Field Install)		
VA6	X39	EX39	30	30W	8	22	VL	100-277V	AN	Anodized	B90	90° Beam	000	None (Base Model)	000	None (Base Model)
	E40	E40	45	45W	9	27	VH	Hybrid					OC1	Occupancy & Daylight	015	15% Uplight
						30							BLE	Bluetooth (Avi-On)		
						35							CSM	Casambi		
						40							SYN	Synapse		
						50							PRI	Manual Set Dim		