

Date _____ Project _____ Part # _____

**Prismatic 16" Reflector +
Hook (HKS) Base**



**Prismatic 16" Reflector +
Pendant (SUS) Base**



**Prismatic 16" Reflector +
Stem (PNx) Base**



**Prismatic 16" Reflector +
Surface Mount (JVx) Base**



Features

- Up to 25,700 Lumens, 156 L/W
- Certified for Magnetic HID Ballast & 100-277 VAC
- Integrated Patented Optic provides:
 - Low Glare UGR<18
 - 1.3x cd/lumen higher efficiency over no optic
- 80 CRI Standard, High CRI optional
- Wireless control options
- Temperature protection with full output:
 - T_{Ambient} = 55°C/150F for 105W
 - T_{Ambient} = 45°C/115F for 150W
 - T_{Ambient} = 40°C/115F for 165W
- Enclosed Fixture rated for 105W Five Year or 50,000 Hour warranty²
- See Website for Installation Guide and IES File

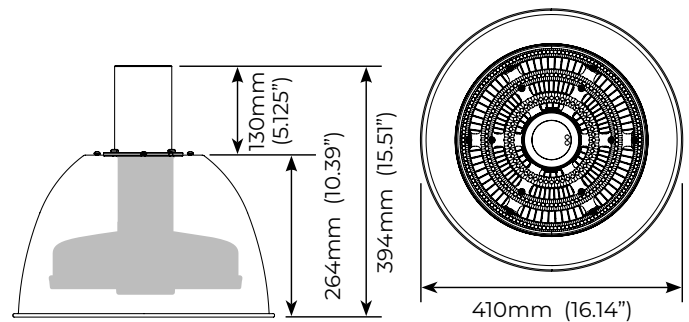
Control Options

- Wireless Options:
 - Synpase, Casambi, Avi-On
- Non Wireless Options:
 - Occupancy & Daylight, Manual Power Set
- Dims to 10% then to off
- Controls not compatible with ballast operation

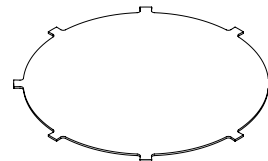
World Wide Certifications

- UL/ULC, DLC, CE/CB, PSE, KC, BSMI, NOM
- See regional section for applicable certification
- IP52 / UL damp listed standard
- IP65 / UL wet optional⁶

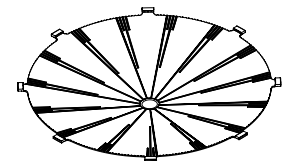
Mechanical



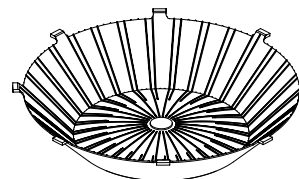
Compatible Accessories



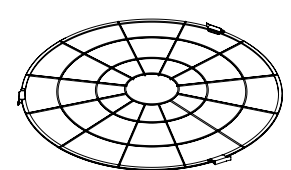
16" UGR Diffuser
ACC-016-UGR-000-FL



16" Conical Lens
ACC-016-CNL-000-FL



16" Drop Lens
ACC-016-DRL-000-FL



16" Wireguard Black
ACC-016-WBK-000-FL

1. Unless otherwise specified, all values are typical at 25°C, 240VAC
 2. See [limited warranty for details](#)
 3. Specifications subject to change without notice

4. Not intended for use in environments containing airborne corrosive agents such as chemicals, solvents, or cutting fluids
 5. Inquire for availability for special orders

Date _____ Project _____ Part # _____

Photometry

- 50° glare cutoff with $UGR_{ave} < 18$
- Field-installed optical accessories without the need for tools (Optional uplights and diffusers)

			Lumens @ CCT				
CRI	Series	Power	2700K	3000K	3500K	4000K	5000K
80	V2L	105W	14621	15476	16161	16731	16731
		150W	19378	20512	21420	22175	22175
	V2M	165W	22525	23842	24898	25776	25776
		105W	12044	12748	13313	13782	13782
90	V2L	150W	15963	16897	17645	18267	18267
		165W	18555	19640	20510	21233	21233

Electrical (VL Driver)

- VL: Line Voltage 100-277 VAC, 50-60 Hz
- < 1% flicker
- 6 kV surge protection, PF>0.9/THD<20%

	Amps @ Line Voltage (VAC)					
	100V	110V	120V	220V	240V	277V
105W	1.05A	0.95A	0.88A	0.48A	0.44A	0.38A
150W	1.50A	1.36A	1.25A	0.68A	0.63A	0.54A
165W	1.65A	1.50A	1.38A	0.75A	0.69A	0.60A

Part # Key (Part A + Part B)

- Not all combinations are valid or readily available
- Call for availability of custom features - MOQ may apply
- Optical accessories and controls may be shipped separately and installed to the base lamp model in the field by the user - Inquire at time of order

PART A: TRANSCENDENT

Series		Reflector		Exterior/Interior Color		Mounting/ Cord Length		Mounting Color		Termination		Reflector Accessory (Field Install)	
TU TC	UL cert. CE cert.	PR16	Prismatic 16"	CLIPCI	Clear Polycarbonate	Hxxx Pxxx Sxxx J000	Hook Pendant Stem Surface	000 WH1 BK1	None White Black	Wire N515 1430 C716 CONN JP01	Bare Wire NEMA 5-15 NEMA 14-30 CEE 7/16 Connector PSE Bare Wire	UGR DRL CNL WBK	UGR Diffuser Drop Lens Conical Lens Wire guard Black

PART B: LAMP [\(Link to spec sheet\)](#)

Series		Lamp Base		Power		CRI		CCT		Driver		Finish		Optics		Accessory (Field Install)		Control Module (Field Install)		Other
V2L V2M	144LEDs 288LEDs	X39 E40	EX39 E40	105 150 165	105W 150W 165W	8 9	80 CRI 90 CRI	22 27 30 35 40 50	2200K 2700K 3000K 3500K 4000K 5000K	VL VH	100-277V Hybrid	AN	Anodized	B90 90° Beam	000 015	None (Base Model) 15% Uplight	000 OC1 BLE CSM SYN PR1	None (Base Model) Occupancy & Daylight Bluetooth (Avi-On) Casambi Synapse Manual Set Dim	FL	