

Date Project Part #



Features

- Up to 25,700 Lumens, 156 L/W
- Certified for Magnetic HID Ballast & 100-277 VAC
- Integrated Patented Optic provides:
 - Low Glare UGR<18
 - 1.3x cd/lumen higher efficiency over no optic
- 80 CRI Standard, High CRI optional
- Wireless control options
- Temperature protection with full output:
 - $T_{Ambient} = 55^{\circ}\text{C}/150\text{F}$ for 105W
 - $= 45^{\circ}\text{C}/115\text{F}$ for 150W
 - $= 40^{\circ}\text{C}/115\text{F}$ for 165W
- Enclosed Fixture rated for 105W Five Year or 50,000 Hour warranty²
- See Website for Installation Guide and IES File

World Wide Certifications

- UL/ULC, DLC, CE/CB, PSE, KC, BSMI, NOM
- See regional section for applicable certification
- IP52 / UL damp listed standard
- IP65 / UL wet optional⁶



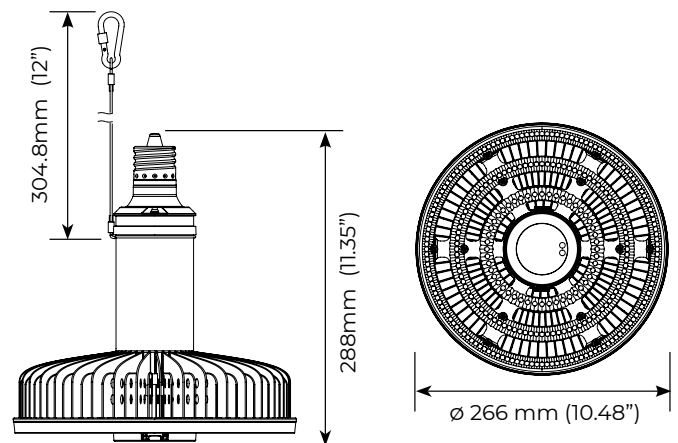
IP52 IP65

Control Options

- Wireless Options:
 - Synpase, Casambi, Avi-On
- Non Wireless Options:
 - Occupancy & Daylight, Manual Power Set
- Dims to 10% then to off
- Controls not compatible with ballast operation

Mechanical

- Mogul Base
- Vertical Orientation
- 3.86lb / 1.75kg
- Requires use of provided Safety Harness



1. Unless otherwise specified, all values are typical at 25°C, 240VAC, CCT +/-300K
2. [See limited warranty for details](#)
3. Specifications subject to change without notice
4. Not intended for use in environments containing airborne corrosive agents such as chemicals, solvents, or cutting fluids
5. V2L has 144 LEDs, V2M has 288 LEDs
6. Need fixture side matching IP65 lamp socket & construction

Date

Project

Part #

Photometry

- Integrated Patented Optic provides:
 - Low glare with 50° Glare Cutoff, UGR<18
 - 1.3x cd/lumen higher efficiency over no optic
 - External reflector not required
- Diffusers and uplight accessories sold separately

CRI	Series	Power	Lumens @ CCT				
			2700K	3000K	3500K	4000K	5000K
80	V2L	105W	14560	15412	16095	16662	16662
		150W	19298	20427	21332	22084	22084
	V2M	165W	22432	23744	24796	25670	25670
90	V2L	105W	13114	13881	14495	15006	15006
		150W	17380	18397	19212	19889	19889
	V2M	165W	18478	19560	20426	21146	21146

Electrical (VH & VL Drivers)

- VL: 100-277 VAC, 50-60Hz
- VH: Hybrid: Ballast Compatible & 100-277 VAC
- <1% Flicker
- PF > 0.9, THD<20%
- Surge: 6 kV (L-N)

	Amps @ Line Voltage (VAC)					
	100V	110V	120V	220V	240V	277V
105W	1.05A	0.95A	0.88A	0.48A	0.44A	0.38A
150W	1.50A	1.36A	1.25A	0.68A	0.63A	0.54A
165W	1.65A	1.50A	1.38A	0.75A	0.69A	0.60A

HID Ballast Compatibility (VH Driver)

The Hybrid series is compatible with HID magnetic ballast between 45-250W. Such ballast types include probe start, pulse start, CWA, or reactive. The table below shows compatible ballast that have been tested. Input to ballast may be up to 480V. Optical distribution and lumen output are constant regardless of Ballast type or wattage. Ballast operation is not compatible with controls.

Type	HID Ballast Compatibility						
	175W	200W	250W	320W	350W	400W	600W
Metal Halide	M57 M13/ M152 MH175	-	M138/ M153, MH250	M132/ M154	M131	M155/ M135 M59 MH400	-
HPS	-	S66	S50, NG250	-	-	S51, NG400	S106, NG600
MV	H175	-	-	-	-	-	-

CE CB Europe: 100-277VAC and HID Ballast Compatible

Date	Project	Part #
------	---------	--------

Applicable Regions

- Europe



IP52 IP65



Summary

- Hybrid: Ballast Compatible & Line Voltage 100-277VAC
- Certified to CB CE standard
- IP52 and UL Listed for damp locations
- IP65 and UL Listed for wet locations - special order
- Selected models also UL listed for enclosed fixtures
- Control modules and optical accessories are shipped separately and installed to the base lamp model by the user
 - Can be installed at the factory - Inquire for availability
- Non-quick ship items may be subject to longer lead times and MOQ
- Additional CCT / CRI / Power combinations may be available as a custom order - Inquire for availability

Part # Key

- Not all combinations are valid or readily available - See ordering table for standard models
- Call for availability of custom features - MOQ may apply

Series		Lamp Base		Power		CRI		CCT		Driver		Finish		Optics		Accessory (Field Install)		Control Module (Field Install)		Other	
V2L	144LEDs	E40	E40	105	105W	8	80 CRI	27	2700K	VH	Hybrid	AN	Anodized	B90	90° Beam	000	None (Base Model)	000	None (Base Model)	FL	IP52
V2M	288LEDs			150	150W	9	90 CRI	30	3000K							015	15% Uplight	OC1	Occupancy & Daylight	IP	IP65
				165	165W			35	3500K									BLE	Bluetooth (Avi-On)		
								40	4000K									CSM	Casambi		
								50	5000K									SYN	Synapse		
																		PR1	Manual Set Dim		

Ordering Table

- Additional combinations may be available - Inquire for availability

Power	CRI	CCT	Series	Lumen	L/W	Part Number
105W	80	2700K	V2L	14560	139	V2L-E40-105-8-27-VH-AN-B90-000-000-FL
105W	80	3000K	V2L	15412	147	V2L-E40-105-8-30-VH-AN-B90-000-000-FL
105W	80	3500K	V2L	16095	153	V2L-E40-105-8-35-VH-AN-B90-000-000-FL
105W	80	4000K	V2L	16662	159	V2L-E40-105-8-40-VH-AN-B90-000-000-FL
105W	80	5000K	V2L	16662	159	V2L-E40-105-8-50-VH-AN-B90-000-000-FL
105W	90	2700K	V2L	11994	114	V2L-E40-105-9-27-VH-AN-B90-000-000-FL
105W	90	3000K	V2L	12696	121	V2L-E40-105-9-30-VH-AN-B90-000-000-FL
105W	90	3500K	V2L	13258	126	V2L-E40-105-9-35-VH-AN-B90-000-000-FL
105W	90	4000K	V2L	13726	131	V2L-E40-105-9-40-VH-AN-B90-000-000-FL
105W	90	5000K	V2L	13726	131	V2L-E40-105-9-50-VH-AN-B90-000-000-FL
150W	80	2700K	V2L	19298	129	V2L-E40-150-8-27-VH-AN-B90-000-000-FL
150W	80	3000K	V2L	20427	136	V2L-E40-150-8-30-VH-AN-B90-000-000-FL
150W	80	3500K	V2L	21332	142	V2L-E40-150-8-35-VH-AN-B90-000-000-FL
150W	80	4000K	V2L	22084	147	V2L-E40-150-8-40-VH-AN-B90-000-000-FL
150W	80	5000K	V2L	22084	147	V2L-E40-150-8-50-VH-AN-B90-000-000-FL

CE CB Europe: 100-277VAC and HID Ballast Compatible

Date	Project	Part #
------	---------	--------

Ordering Table

· Additional combinations may be available - Inquire for availability

CRI	CCT	Power	Series	Lumen	L/W	Part Number
150W	90	2700K	V2L	15897	106	V2L-E40-150-9-27-VH-AN-B90-000-000-FL
150W	90	3000K	V2L	16827	112	V2L-E40-150-9-30-VH-AN-B90-000-000-FL
150W	90	3500K	V2L	17572	117	V2L-E40-150-9-35-VH-AN-B90-000-000-FL
150W	90	4000K	V2L	18192	121	V2L-E40-150-9-40-VH-AN-B90-000-000-FL
150W	90	5000K	V2L	18192	121	V2L-E40-150-9-50-VH-AN-B90-000-000-FL
165W	80	2700K	V2M	22432	136	V2M-E40-165-8-27-VH-AN-B90-000-000-FL
165W	80	3000K	V2M	23744	144	V2M-E40-165-8-30-VH-AN-B90-000-000-FL
165W	80	3500K	V2M	24796	150	V2M-E40-165-8-35-VH-AN-B90-000-000-FL
165W	80	4000K	V2M	25670	156	V2M-E40-165-8-40-VH-AN-B90-000-000-FL
165W	80	5000K	V2M	25670	156	V2M-E40-165-8-50-VH-AN-B90-000-000-FL
165W	90	2700K	V2M	18478	112	V2M-E40-165-9-27-VH-AN-B90-000-000-FL
165W	90	3000K	V2M	19560	119	V2M-E40-165-9-30-VH-AN-B90-000-000-FL
165W	90	3500K	V2M	20426	124	V2M-E40-165-9-35-VH-AN-B90-000-000-FL
165W	90	4000K	V2M	21146	128	V2M-E40-165-9-40-VH-AN-B90-000-000-FL
165W	90	5000K	V2M	21146	128	V2M-E40-165-9-50-VH-AN-B90-000-000-FL
165W	90	5000K	V2M	21146	128	V2M-X39-165-9-50-VH-AN-B90-000-000-FL