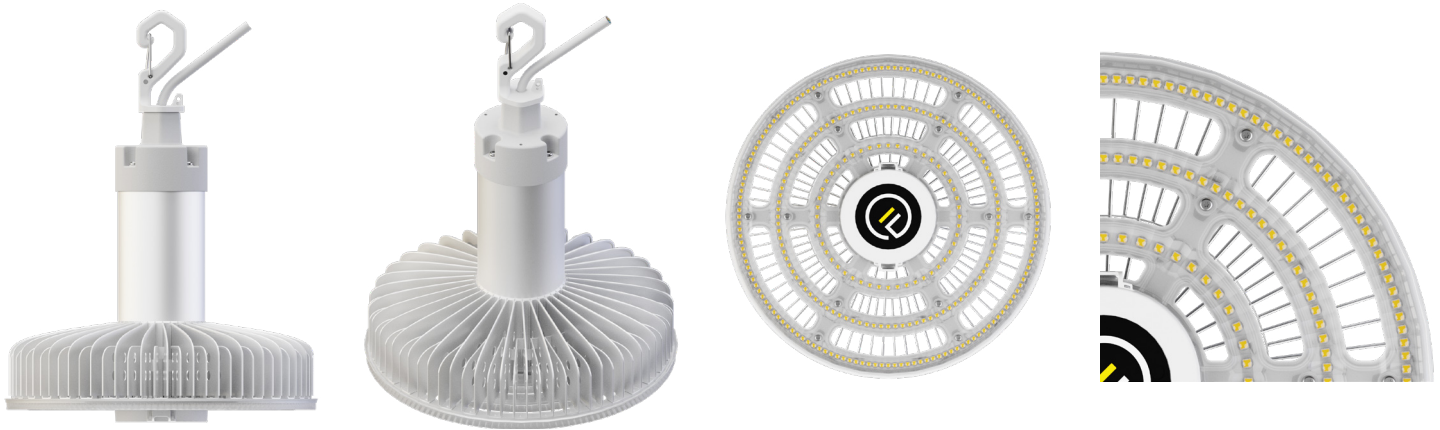


Date	Project	Part #
------	---------	--------



## Features

- Up to 25,700 Lumens, 156 L/W
- Certified for 100-277 VAC
- Integrated Patented Optic provides:
  - Low Glare UGR<18
  - 1.3x cd/lumen higher efficiency over no optic
- 80 CRI Standard, High CRI optional
- Wireless control options
- Temperature protection with full output:
  - T<sub>Ambient</sub> = 55°C/150F for 105W
  - = 45°C/115F for 150W
  - = 40°C/115F for 165W
- Five Year or 50,000 Hour warranty<sup>2</sup>
- See Website for Installation Guide and IES File

## World Wide Certifications

- UL/ULC, DLC, CE/CB, PSE, NOM
- See regional section for applicable certification
- IP52 / UL damp listed standard
- IP65 / UL wet optional

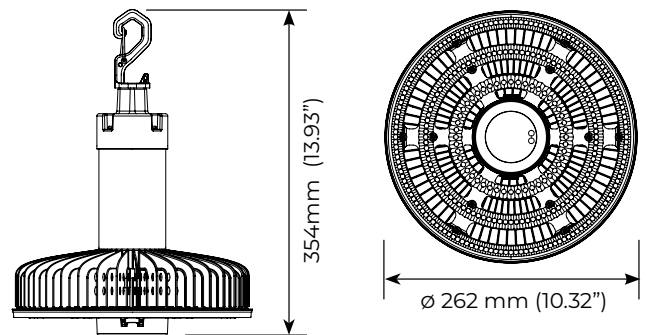


## Control Options

- Wireless Options:
  - Synpase, Casambi, Avi-On
- Non Wireless Options:
  - Occupancy & Daylight, Manual Power Set
- Dims to 10% then to off

## Mechanical

- Vertical Orientation
- 4.89lb / 2.22kg
- Safety Harness optional and sold separately



1. Unless otherwise specified, all values are typical at 25°C, 240VAC, CCT +/-300K
2. [See limited warranty for details](#)
3. Specifications subject to change without notice

4. Not intended for use in environments containing airborne corrosive agents such as chemicals, solvents, or cutting fluids
5. V2L has 144 LEDs, V2M has 288 LEDs

Date Project Part #

## Photometry

- Integrated Patented Optic provides:
- Low glare with 50° Glare Cutoff, UGR<18
- 1.3x cd/lumen higher efficiency over no optic
- External reflector not required
- Diffusers and upright accessories sold separately

## Lumens (No Accessories)

CRI	Series	Power	Lumens @ CCT				
			2700K	3000K	3500K	4000K	5000K
80	V2L	105W	14560	15412	16095	16662	16662
		150W	19298	20427	21332	22084	22084
	V2M	165W	22432	23744	24796	25670	25670
90	V2L	105W	13114	13881	14495	15006	15006
		150W	17380	18397	19212	19889	19889
	V2M	165W	16901	17890	18682	19341	19341

## Lumens (With Uplight)

CRI	Series	Power	Lumens @ CCT				
			2700K	3000K	3500K	4000K	5000K
80	V2L	105W	15686	16604	17339	17950	17950
		150W	20790	22006	22981	23791	23791
	V2M	165W	22103	23397	24432	25294	25294
90	V2L	105W	12921	13677	14283	14787	14787
		150W	17126	18128	18930	19598	19598
	V2M	165W	18208	19273	20126	20836	20836

## Electrical

- VL: 100-277 VAC, 50-60Hz
- <1% Flicker
- PF > 0.9, THD<20%
- Surge: 6 kV (L-N), 10kV (L-G, N-G)

	Amps @ Line Voltage (VAC)					
	100V	110V	120V	220V	240V	277V
<b>105W</b>	1.05A	0.95A	0.88A	0.48A	0.44A	0.38A
<b>150W</b>	1.50A	1.36A	1.25A	0.68A	0.63A	0.54A
<b>165W</b>	1.65A	1.50A	1.38A	0.75A	0.69A	0.60A

## CE CB : 100-277VAC Line Voltage

Date \_\_\_\_\_ Project \_\_\_\_\_ Part # \_\_\_\_\_

### Applicable Regions

- Europe
- Worldwide where CE/CB is applicable

**CE CB RoHS**

**IP52 IP65**



### Summary

- Line Voltage 100-277VAC
- Certified to CB CE standard
- IP52 and UL Listed for damp locations
- IP65 and UL Listed for wet locations - special order
- Control modules and optical accessories are shipped separately and installed to the base lamp model by the user
  - Can be installed at the factory - Inquire for availability
- Non-quick ship items may be subject to longer lead times and MOQ
- Additional CCT / CRI / Power combinations may be available as a custom order - Inquire for availability

### Part # Key

- Not all combinations are valid or readily available - See ordering table for standard models
- Call for availability of custom features - MOQ may apply

Series		Region		Power		CRI		CCT		Driver		Finish		Optics		Accessory (Field Install)		Control Module (Field Install)		Other	
V2L	144LEDs	FEU	CE	105	105W	8	80 CRI	22	2200K	VL	100-277V	AN	Anodized	B90	90° Beam	000	None (Base Model)	000	None (Base Model)	FL	IP52
V2M	288LEDs			150	150W	9	90 CRI	27	2700K							015	15% Uplight	OC1	Occupancy & Daylight	IP	IP65
				165	165W			30	3000K									BLE	Bluetooth (Avi-On)		
								35	3500K									CSM	Casambi		
								40	4000K									SYN	Synapse		
								50	5000K									PR1	Manual Set Dim		

### Ordering Table

- Additional combinations may be available - Inquire for availability

Series	Power	CRI	CCT	Lumen	L/W	Part Number
V2L	105W	80	2700K	14560	139	V2L-FEU-105-8-27-VL-AN-B90-000-000-FL
V2L	105W	80	3000K	15412	147	V2L-FEU-105-8-30-VL-AN-B90-000-000-FL
V2L	105W	80	3500K	16095	153	V2L-FEU-105-8-35-VL-AN-B90-000-000-FL
V2L	105W	80	4000K	16662	159	V2L-FEU-105-8-40-VL-AN-B90-000-000-FL
V2L	105W	80	5000K	16662	159	V2L-FEU-105-8-50-VL-AN-B90-000-000-FL
V2L	105W	90	2700K	11994	114	V2L-FEU-105-9-27-VL-AN-B90-000-000-FL
V2L	105W	90	3000K	12696	121	V2L-FEU-105-9-30-VL-AN-B90-000-000-FL
V2L	105W	90	3500K	13258	126	V2L-FEU-105-9-35-VL-AN-B90-000-000-FL
V2L	105W	90	4000K	13726	131	V2L-FEU-105-9-40-VL-AN-B90-000-000-FL
V2L	105W	90	5000K	13726	131	V2L-FEU-105-9-50-VL-AN-B90-000-000-FL
V2L	150W	80	2700K	19298	129	V2L-FEU-150-8-27-VL-AN-B90-000-000-FL
V2L	150W	80	3000K	20427	136	V2L-FEU-150-8-30-VL-AN-B90-000-000-FL
V2L	150W	80	3500K	21332	142	V2L-FEU-150-8-35-VL-AN-B90-000-000-FL
V2L	150W	80	4000K	22084	147	V2L-FEU-150-8-40-VL-AN-B90-000-000-FL
V2L	150W	80	5000K	22084	147	V2L-FEU-150-8-50-VL-AN-B90-000-000-FL

## CE CB Europe: 100-277VAC Line Voltage

Date	Project	Part #
------	---------	--------

### Ordering Table

· Additional combinations may be available - Inquire for availability

Series	Power	CRI	CCT	Lumen	L/W	Part Number
V2L	150W	90	2700K	15897	106	V2L-FEU-150-9-27-VL-AN-B90-000-000-FL
V2L	150W	90	3000K	16827	112	V2L-FEU-150-9-30-VL-AN-B90-000-000-FL
V2L	150W	90	3500K	17572	117	V2L-FEU-150-9-35-VL-AN-B90-000-000-FL
V2L	150W	90	4000K	18192	121	V2L-FEU-150-9-40-VL-AN-B90-000-000-FL
V2L	150W	90	5000K	18192	121	V2L-FEU-150-9-50-VL-AN-B90-000-000-FL
V2M	165W	80	2700K	22432	136	V2M-FEU-165-8-27-VL-AN-B90-000-000-FL
V2M	165W	80	3000K	23744	144	V2M-FEU-165-8-30-VL-AN-B90-000-000-FL
V2M	165W	80	3500K	24796	150	V2M-FEU-165-8-35-VL-AN-B90-000-000-FL
V2M	165W	80	4000K	25670	156	V2M-FEU-165-8-40-VL-AN-B90-000-000-FL
V2M	165W	80	5000K	25670	156	V2M-FEU-165-8-50-VL-AN-B90-000-000-FL
V2M	165W	90	2700K	18478	112	V2M-FEU-165-9-27-VL-AN-B90-000-000-FL
V2M	165W	90	3000K	19560	119	V2M-FEU-165-9-30-VL-AN-B90-000-000-FL
V2M	165W	90	3500K	20426	124	V2M-FEU-165-9-35-VL-AN-B90-000-000-FL
V2M	165W	90	4000K	21146	128	V2M-FEU-165-9-40-VL-AN-B90-000-000-FL
V2M	165W	90	5000K	21146	128	V2M-FEU-165-9-50-VL-AN-B90-000-000-FL