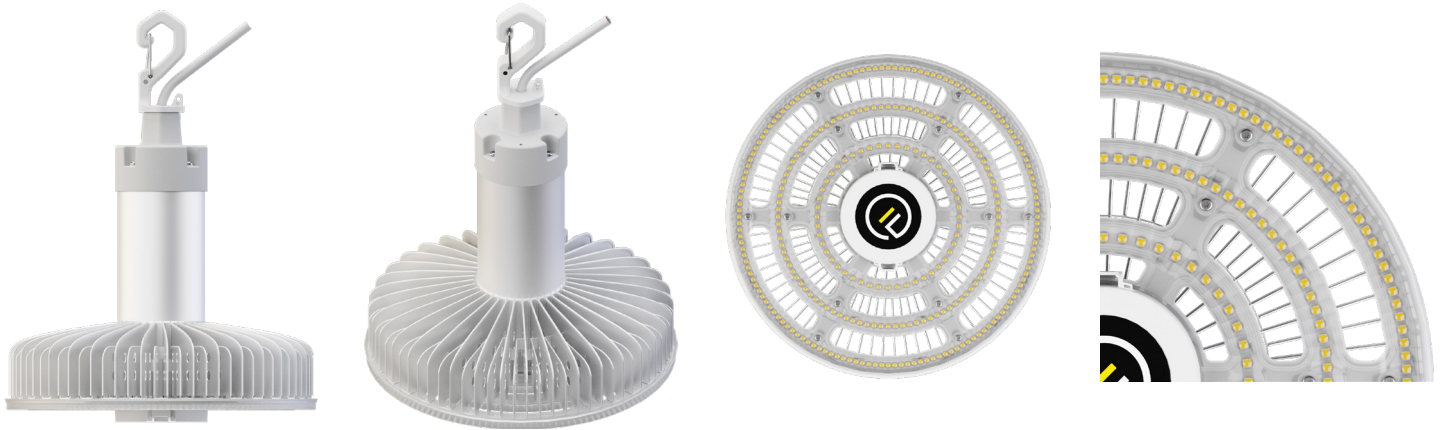


| Date | Project | Part # |
|------|---------|--------|
|------|---------|--------|



Features

- Up to 25,700 Lumens, 156 L/W
- Certified for 100-277 VAC
- Integrated Patented Optic provides:
 - Low Glare UGR<18
 - 1.3x cd/lumen higher efficiency over no optic
- 80 CRI Standard, High CRI optional
- Wireless control options
- Temperature protection with full output:
 - T_{Ambient} = 55°C/150F for 105W
 - = 45°C/115F for 150W
 - = 40°C/115F for 165W
- Five Year or 50,000 Hour warranty²
- See Website for Installation Guide and IES File

World Wide Certifications

- UL/ULC, DLC, CE/CB, PSE, NOM
- See regional section for applicable certification
- IP52 / UL damp listed standard
- IP65 / UL wet optional

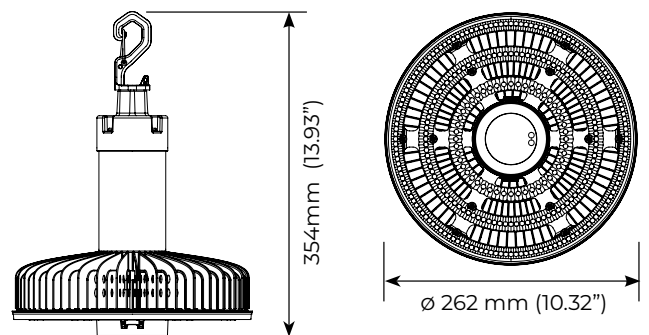


Control Options

- Wireless Options:
 - Synpase, Casambi, Avi-On
- Non Wireless Options:
 - Occupancy & Daylight, Manual Power Set
- Dims to 10% then to off

Mechanical

- Vertical Orientation
- 4.89lb / 2.22kg
- Safety Harness optional and sold separately



1. Unless otherwise specified, all values are typical at 25°C, 240VAC, CCT +/-300K
2. [See limited warranty for details](#)
3. Specifications subject to change without notice

4. Not intended for use in environments containing airborne corrosive agents such as chemicals, solvents, or cutting fluids
5. V2L has 144 LEDs, V2M has 288 LEDs

Date Project Part #

Photometry

- Integrated Patented Optic provides:
- Low glare with 50° Glare Cutoff, UGR<18
- 1.3x cd/lumen higher efficiency over no optic
- External reflector not required
- Diffusers and upright accessories sold separately

Lumens (No Accessories)

| CRI | Series | Power | Lumens @ CCT | | | | |
|-----|--------|-------|--------------|-------|-------|-------|-------|
| | | | 2700K | 3000K | 3500K | 4000K | 5000K |
| 80 | V2L | 105W | 14560 | 15412 | 16095 | 16662 | 16662 |
| | | 150W | 19298 | 20427 | 21332 | 22084 | 22084 |
| | V2M | 165W | 22432 | 23744 | 24796 | 25670 | 25670 |
| 90 | V2L | 105W | 13114 | 13881 | 14495 | 15006 | 15006 |
| | | 150W | 17380 | 18397 | 19212 | 19889 | 19889 |
| | V2M | 165W | 16901 | 17890 | 18682 | 19341 | 19341 |

Lumens (With Uplight)

| CRI | Series | Power | Lumens @ CCT | | | | |
|-----|--------|-------|--------------|-------|-------|-------|-------|
| | | | 2700K | 3000K | 3500K | 4000K | 5000K |
| 80 | V2L | 105W | 15686 | 16604 | 17339 | 17950 | 17950 |
| | | 150W | 20790 | 22006 | 22981 | 23791 | 23791 |
| | V2M | 165W | 22103 | 23397 | 24432 | 25294 | 25294 |
| 90 | V2L | 105W | 12921 | 13677 | 14283 | 14787 | 14787 |
| | | 150W | 17126 | 18128 | 18930 | 19598 | 19598 |
| | V2M | 165W | 18208 | 19273 | 20126 | 20836 | 20836 |

Electrical

- VL: 100-277 VAC, 50-60Hz
- <1% Flicker
- PF > 0.9, THD<20%
- Surge: 6 kV (L-N), 10kV (L-G, N-G)

| | Amps @ Line Voltage (VAC) | | | | | |
|-------------|---------------------------|-------|-------|-------|-------|-------|
| | 100V | 110V | 120V | 220V | 240V | 277V |
| 105W | 1.05A | 0.95A | 0.88A | 0.48A | 0.44A | 0.38A |
| 150W | 1.50A | 1.36A | 1.25A | 0.68A | 0.63A | 0.54A |
| 165W | 1.65A | 1.50A | 1.38A | 0.75A | 0.69A | 0.60A |

DLC USA: 100-277VAC Line Voltage

Date _____ Project _____ Part # _____

Applicable Regions

- USA



IP52 IP65 RoHS

Summary

- Line Voltage 100-277VAC
- Certified to UL and DLC standard
- IP52 and UL Listed for damp locations
- IP65 and UL Listed for wet locations - special order
- Control modules and optical accessories are shipped separately and installed to the base lamp model by the user
 - Can be installed at the factory - Inquire for availability
- Non-quick ship items may be subject to longer lead times and MOQ
- Additional CCT / CRI / Power combinations may be available as a custom order - Inquire for availability

Part # Key

- Not all combinations are valid or readily available - See ordering table for standard models
- Call for availability of custom features - MOQ may apply

| Series | | Region | | Power | | CRI | | CCT | | Driver | | Finish | | Optics | | Accessory (Field Install) | | Control Module (Field Install) | | Other | |
|--------|---------|--------|----|-------|------|-----|--------|-----|-------|--------|----------|--------|----------|--------|----------|---------------------------|-------------------|--------------------------------|----------------------|-------|------|
| V2L | 144LEDs | FIX | UL | 105 | 105W | 8 | 80 CRI | 22 | 2200K | VL | 100-277V | AN | Anodized | B90 | 90° Beam | 000 | None (Base Model) | 000 | None (Base Model) | FL | IP52 |
| V2M | 288LEDs | | | 150 | 150W | 9 | 90 CRI | 27 | 2700K | | | | | | | 015 | 15% Uplight | OC1 | Occupancy & Daylight | IP | IP65 |
| | | | | 165 | 165W | | | 30 | 3000K | | | | | | | | | BLE | Bluetooth (Avi-On) | | |
| | | | | | | | | 35 | 3500K | | | | | | | | | CSM | Casambi | | |
| | | | | | | | | 40 | 4000K | | | | | | | | | SYN | Synapse | | |
| | | | | | | | | 50 | 5000K | | | | | | | | | PR1 | Manual Set Dim | | |

Ordering Table

- Only the following models are certified for DLC

| Series | Power | CRI | CCT | Lumen | L/W | Part Number |
|--------|-------|-----|-------|-------|-----|---------------------------------------|
| V2L | 105W | 80 | 2700K | 14560 | 139 | V2L-FIX-105-8-27-VL-AN-B90-000-000-FL |
| V2L | 105W | 80 | 3000K | 15412 | 147 | V2L-FIX-105-8-30-VL-AN-B90-000-000-FL |
| V2L | 105W | 80 | 3500K | 16095 | 153 | V2L-FIX-105-8-35-VL-AN-B90-000-000-FL |
| V2L | 105W | 80 | 4000K | 16662 | 159 | V2L-FIX-105-8-40-VL-AN-B90-000-000-FL |
| V2L | 105W | 80 | 5000K | 16662 | 159 | V2L-FIX-105-8-50-VL-AN-B90-000-000-FL |
| V2L | 150W | 80 | 4000K | 22084 | 147 | V2L-FIX-150-8-40-VL-AN-B90-000-000-FL |
| V2L | 150W | 80 | 5000K | 22084 | 147 | V2L-FIX-150-8-50-VL-AN-B90-000-000-FL |
| V2M | 165W | 80 | 2700K | 22432 | 136 | V2M-FIX-165-8-27-VL-AN-B90-000-000-FL |
| V2M | 165W | 80 | 3000K | 23744 | 144 | V2M-FIX-165-8-30-VL-AN-B90-000-000-FL |
| V2M | 165W | 80 | 3500K | 24796 | 150 | V2M-FIX-165-8-35-VL-AN-B90-000-000-FL |
| V2M | 165W | 80 | 4000K | 25670 | 156 | V2M-FIX-165-8-40-VL-AN-B90-000-000-FL |
| V2M | 165W | 80 | 5000K | 25670 | 156 | V2M-FIX-165-8-50-VL-AN-B90-000-000-FL |